



A COMPLETE PRODUCT RANGE OF FLUID CONNECTIONS  
SOLUTION FOR ALL MOBILE EQUIPMENTS & INDUSTRIAL NEEDS



FLUID CONNECTIONS

## H003 (ISO7241-A)

### Close Type Hydraulic Quick Coupling



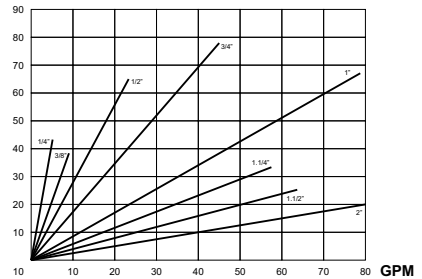
#### Application & Features

- The H003 Series hydraulic quick couplings are mainly used for constructions equipment, forest equipment, hydraulic machinery and oil equipment and other required hydraulic applications.
- Poppet valves are available to prevent uncoupled leakage. Poppet valves open automatically when coupled within rated working pressure to keep the flow expeditely.
- Critical parts are hardened for durability.
- H003 Series conforms to the standards of ISO7241-B.
- Compatible with PARKER 60 Series. FASTER ANV Series, AEROQUIP Fd45 Series and HANSEN HK Series.

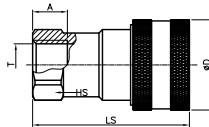
#### Specifications

Body Size (in)	1/4	3/8	1/2	3/4	1	1.1/4	1.1/2	2
Rated Pressure (PSI)	5000	4000	4000	3000	3000	3000	2000	2000
Rated Flow (GPM)	3	6	12	28	50	88	220	224
Temperature Range	-20° ~ +80°							

Pressure Drop in PSID

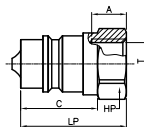


#### SOCKET



Part No.	LS	D	HS	A	T
H003ISOASF-04	50	26	19	13	G1/4 NPT1/4
H003ISOASF-06	60.5	31.5	22	14	G3/8 NPT3/8
H003ISOASF-08	66	39	27	16	G1/2 NPT1/2
H003ISOASF-12	80	48	34	18	G3/4 NPT3/4
H003ISOASF-16	99.5	53	41	21	G1 NPT1
H003ISOASF-20	112	69	50	25	G1.1/4 NPT1.1/4
H003ISOASF-24	127.5	84.5	60	25.5	G1.1/2 NPT1.1/2
H003ISOASF-32	158	99	75	26	G2 NPT2

#### PLUG



Part No.	LP	C	HP	A	T
H003ISOAPF-04	35.5	15	19	13	G1/4 NPT1/4
H003ISOAPF-06	42	26.5	22	14	G3/8 NPT3/8
H003ISOAPF-08	46	26.5	27	16	G1/2 NPT1/2
H003ISOAPF-12	54	28	34	18	G3/4 NPT3/4
H003ISOAPF-16	65.5	35	41	21	G1 NPT1
H003ISOAPF-20	70	45	50	25	G1.1/4 NPT1.1/4
H003ISOAPF-24	78	51	60	25.5	G1.1/2 NPT1.1/2
H003ISOAPF-32	98	61	75	26	G2 NPT2

## H302 (ISO16028)

### Flat Face Type Hydraulic Quick Coupling



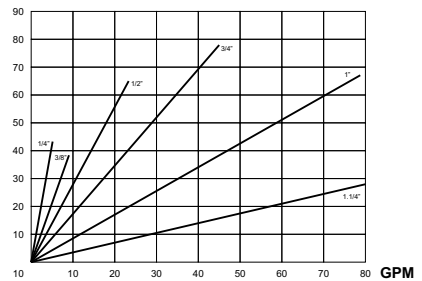
### Application & Features

- The H302 Series flat type hydraulic quick couplings are used for quick change of hydraulic tools in construction, railway maintenance and mining industries. The ease of cleaning makes them ideal for use in these types of hostile environments.
- Sleeve locking mechanism is engaged by rotating sleeve after connection. it prevents accidental disconnection when the coupling is dragged along the ground. Sleeve mechanism is designed to help prevent dirt from entering the internal mechanism and thus avoid the faulty operation during connecting or disconnecting.
- Critical parts are hardened for durability.
- H302 Series couplings employ flush valving when connecting or disconnecting. This means that the valves are mated together so that only small amounts of fluid would be lost during disconnection or air inclusion during reconnection.
- H302 Series conforms to ISO5675.
- Compatible with PARKER FE and FF Series, STUCCHI A8008 Series, EROQUIP FD 89 Series, HANSEN Qa2900 Series.

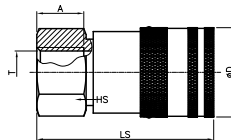
### Specifications

Body Size (in)	1/4	3/8	1/2	3/4	1	1.1/4
Rated Pressure (PSI)	5000	3000	3000	3000	3000	3000
Rated Flow (GPM)	3	6	12	28	50	88
Temperature Range	-20° ~ +80°					

Pressure Drop in PSID

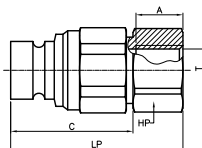


#### SOCKET



Part No.	LS	D	HS	A	T
H302ISOSF-04	59.3	30.4	27	14	ZG1/4 NPT1/4
H302ISOSF-06	71.1	31.5	30	16	ZG3/8 NPT3/8
H302ISOSF-08	74.7	37.9	31.9	17.5	ZG1/2 NPT1/2

#### PLUG



Part No.	LP	C	HP	A	T
H302ISOPF-04	64	20.5	19	14	ZG1/4 NPT1/4
H302ISOPF-06	71	25.5	24	16	ZG3/8 NPT3/8
H302ISOPF-08	71.6	50.6	31.9	18	ZG1/2 NPT1/2

## H501 (ISO7241-A)

### Thread Locked Type Hydraulic Quick Coupling



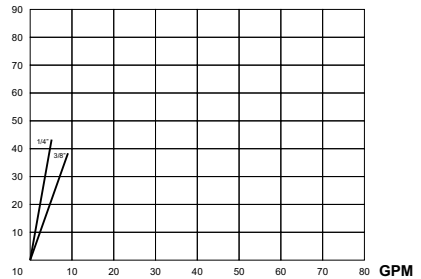
### Application & Features

- The H501 Series couplings with their threaded union locking system and precision ball-type check valves are designed for extreme high pressure applications such as a portable hydraulic jacks.
- H501 Series employs a thread sleeve locking mechanism, mates with matching male threads on the nipple. The two halves must be manually threaded together for connections.
- Critical parts are hardened for durability.
- The interface seal is polyurethane which resists high pressure extrusion.
- Compatible with PARKER 3000 Series, FASTER PVVM Series.

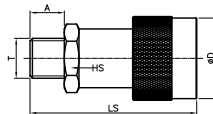
### Specifications

Body Size (in)	1/4	3/8
Rated Pressure (PSI)	10,000	10,000
Rated Flow (GPM)	3	6
Temperature Range	-20° ~ +100°	

Pressure Drop in PSID

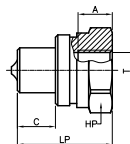


SOCKET



Part No.	LS	D	HS	A	T
H501HPSM-04	58	28.5	19	13	NPT1/4
H501HPSM-06	65	35	25	14.4	NPT3/8

PLUG



Part No.	LP	C	HP	A	T
H501HPPF-04	32.5	11.2	19	13	NPT1/4
H501HPPF-06	40	35	32	13.5	NPT3/8


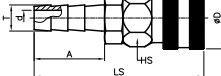

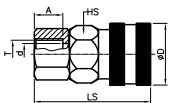

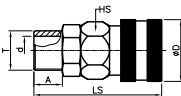

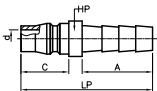

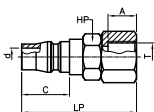

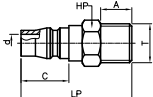
## P001

### Close Type Pneumatic Quick Coupling

Descriptions: It is widely used in Asian market.  
 Features: Simple structure, various of connections.  
 Applications: Pneumatic tools, automotive, compressed air, shipbuilding.  
 Compatibility: Nitto HI-CUPLA Series, CEJN 315 Series, Rectus 13KA Series.  
 Working Pressure: 1.0MPa  
 Working Temperature: 20C ~ 100C



#### Application & Features

SOCKET 	
SOCKET 	
SOCKET 	
PLUG 	
PLUG 	
PLUG 	

#### Specifications

Part No.	LS	D	Hs	A	T	d
P001ST-02	72.5	26	21	28	7	3.5
P001ST-04	72.5	26	21	30	9	5
P001ST-06	72.5	26	21	30	11.2	7.3
P001ST-08	75.5	26	21	33	14.5	9

Part No.	LS	D	Hs	A	T	d
P001SF-02	49.5	26	21	12	BSP1/8"	8
P001SF-04	59.5	26	21	13	BSP1/4"	8
P001SF-06	50.5	26	21	15	BSP3/8"	8
P001SF-08	55.5	26	21	16	BSP1/2"	8

Part No.	LS	D	Hs	A	T	d
P001SM-02	54	26	21	28	PT1/8"	5
P001SM-04	55.5	26	21	30	PT1/4"	8
P001SM-06	72.5	26	21	30	PT3/8"	10.5
P001SM-08	72.5	26	21	33	PT1/2"	13.5

Part No.	LP	C	HP	A	T	d
P001PT-02	56	20.5	15	28	7	7.5
P001PT-04	56	20.5	15	30	9	7.5
P001PT-06	56	20.5	15	30	11.2	7.5
P001PT-08	56	20.5	18	33	14.5	7.5

Part No.	LP	C	HP	A	T	d
P001PF-02	34.5	20.5	14	12	BSP1/8"	7.5
P001PF-04	37.5	20.5	17	15	BSP1/4"	7.5
P001PF-06	37.5	20.5	21	15	BSP3/8"	7.5
P001PF-08	38.5	20.5	23	16	BSP1/2"	7.5

Part No.	LP	C	HP	A	T	d
P001PM-02	54	20.5	14	10	PT1/8"	7.5
P001PM-04	55.5	20.5	17	13	PT1/4"	7.5
P001PM-06	72.5	20.5	21	13	PT3/8"	7.5
P001PM-08	72.5	20.5	23	15	PT1/2"	7.5

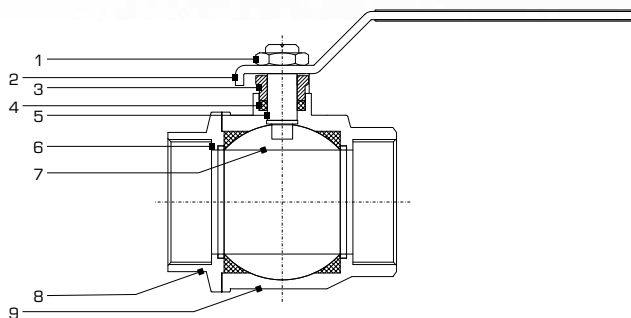
# BALL VALVE

## FEATURES

- Two Piece Body,
- Full Port.
- Blowout-Proof Stem.
- PTFE Seats.
- Adjustable Pack Nut
- 1/4" - 2" 600 PSI / 40 Bar Non-Shock Cold Working Pressure
- Conforms to UL Subject 125
- 600 WOG Full Port
- NPT Thread F x F C37700 Material
- Steel Handle PVC Coated
- UL Certification

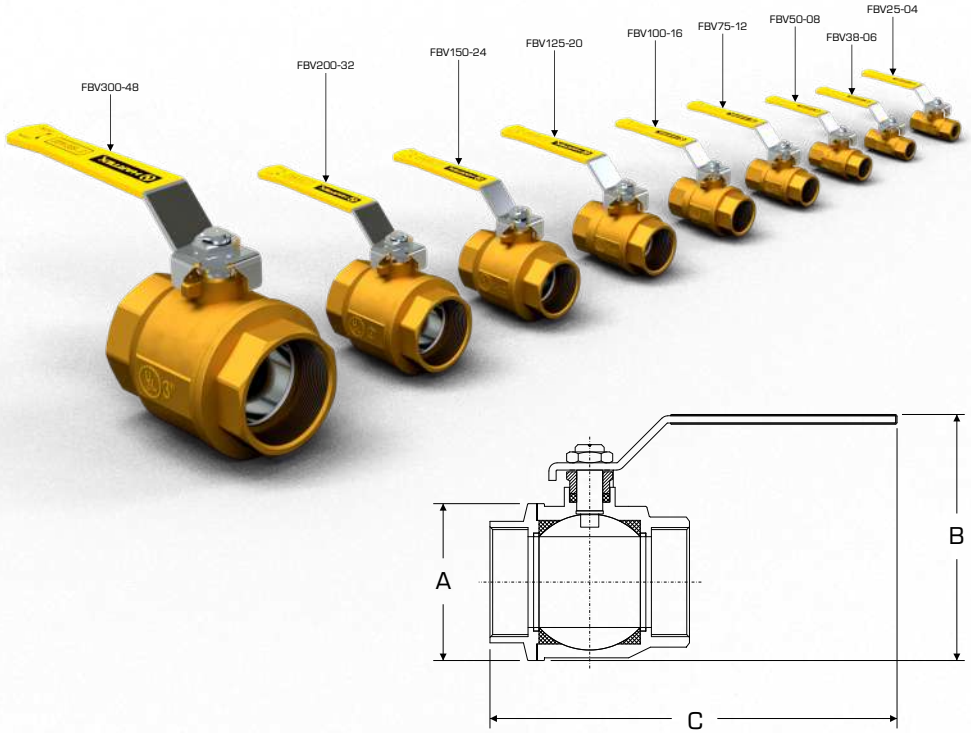


## MATERIALS



CODE	DESCRIPTION	MATERIAL
1	Handle Nut	Zinc Plated Steel
2	Handle	Zinc Plated Steel (Vinyl Sleeve)
3	Threaded Pack Gland	C3770 / CW617
4	Packing	PTFE
5	Stem	C3770 / CW617
6	Seat	PTFE
7	Ball	Chrome Plated Brass
8	Body End Piece	C3770 / CW617
9	Body	C3770 / CW617

## ORDERING INFORMATION



Part Number	Model	Pressure (PSI)	Pressure (Bar)	Dim. A (mm)	Dim. B (mm)	Dim. C (mm)
FBV25-04	Ball Valve 1/4"	600	40	24	52	121
FBV38-06	Ball Valve 3/8"	600	40	24	52	121
FBV50-08	Ball Valve 1/2"	600	40	33	63	129
FBV75-12	Ball Valve 3/4"	600	40	39	75	158
FBV100-16	Ball Valve 1"	600	40	50	84	162
FBV125-20	Ball Valve 1.1/4"	600	40	59	102	198
FBV150-24	Ball Valve 1.1/2"	600	40	73	116	204
FBV200-32	Ball Valve 2"	600	40	87	136	225
FBV300-48	Ball Valve 3"	600	40	130	270	333



REV. 20 MAY 2024

Distributor :

## HARTEX GLOBAL INDUSTRIAL

### Factory :

Green Sedayu Bizpark Cakung Blok GS 5 No. 102  
Jl. Cakung Cilincing Timur Raya KM. 2  
Cakung - Jakarta Timur - 13910

☎ : +62 21 461 3110 | 📞 : +62 811 803 6799  
Email: [info@hartex.id](mailto:info@hartex.id) | Web: [www.hartex.id](http://www.hartex.id)