

HARTEX ELECTRIC PUMP ELECTRICALLY-POWERED LUBRICATION PUMP



FEATURES & BENEFIT

- Pump body can be configured to operate one to three fixed displacement pump cartridges that can feed three different zones or be combined for maximum output;
- Reservoir capacities of 4L, 8L, 10L and 12L;
- Designed to deliver up to NLGI #2 at pressures of 3,500 psi (238 bar, 25 MPa);
- Integral controller for easy system installation, or a remote controller connection offers even more functionality and options;
- Low level indicator option stops the pump before the reservoir is empty;
- Additional top mounts enable both top and bottom mounting for exceptional strength.

Automatic Lubrication System

AUTOMATIC LUBRICATION SYSTEM

Ordering Information



HARTEX ELECTRIC PUMP 12L

HARTEX PART NO.	DESCRIPTION	UOM	PACK QTY
821343200	HARTEX ELECTRIC GREASE PUMP 4Kg	EACH	1
821343300	HARTEX ELECTRIC GREASE PUMP 8Kg	EACH	1
821343400	HARTEX ELECTRIC GREASE PUMP 10Kg	EACH	1
821343500	HARTEX ELECTRIC GREASE PUMP 12Kg	EACH	1



ELECTRIC CONTROLLER

HARTEX PART NO.	DESCRIPTION	UOM	PACK QTY
820312012	UNIVERSAL AUTOLUBE CONTROLLER 1N 24 VDC	EACH	1







DIVIDER VALVE ASSEMBLY


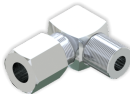
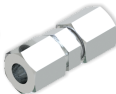

HARTEX PART NO.	DESCRIPTION	UOM	PACK QTY
821057001	Divider 0.20 3 Section / 6 Outlet	EACH	1
821057002	Divider 0.20 4 Section / 8 Outlet	EACH	1
821057003	Divider 0.20 5 Section / 10 Outlet	EACH	1
821057004	Divider 0.20 6 Section / 12 Outlet	EACH	1
821057011	Divider 0.20 7 Section / 14 Outlet	EACH	1
821057005	Divider 0.50 3 Section / 6 Outlet	EACH	1
821057006	Divider 0.50 4 Section / 8 Outlet	EACH	1
821057007	Divider 0.50 5 Section / 10 Outlet	EACH	1
821057008	Divider 0.50 6 Section / 12 Outlet	EACH	1
821057012	Divider 0.50 7 Section / 14 Outlet	EACH	1

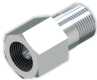
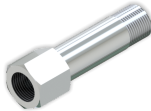


AUTOMATIC LUBRICATION SYSTEM

Ordering Information



			
HOSE STUD, ELBOW 90° (Ø 6,8 mm)	HOSE STUD, ELBOW 45° (Ø 6,8 mm)	HOSE STUD, STRAIGHT (Ø 6,8 mm)	SCREW SLEEVE HOSE OD. 8,6 mm
PN : 821210001	PN : 821310001	PN : 821110001	PN : 821070001

			
STRAIGHT ADAPTOR M10x1 (6mm)	ELBOW ADAPTOR 90° M10x1 (6mm)	BRIDGE CONNECTORS (6mm)	SWIVEL ADAPTOR MF 1/8"
PN : 821121301	PN : 821222301	PN : 821133301	PN : 821821201 (NPT-NPT) PN : 821825601 (BSPT-BSPT)

			
ADAPTOR MF 1/8" NPT STANDARD	ADAPTOR MF 1/8" NPT 30 mm	HOSE 840 Bar OD. 8,6 mm	SPRING & ARMOUR GUARD
PN : 821141201	PN : 821441201	PN : 821060001	PN: 800001058 (SPRING GUARD) PN: 800001059 (ARMOUR GUARD)



Distributor :

HARTEX GLOBAL INDUSTRIAL

Factory :

Green Sedayu Bizpark Cakung Blok GS 5 No. 102
Jl. Cakung Cilincing Timur Raya KM. 2
Cakung - Jakarta Timur - 13910

☎ : +62 21 461 3110 | 📞 : +62 811 803 6799
Email: info@hartex.id | Web: www.hartex.id

