

## Domestic Bronze Ball Valves

### Application:

- for control of air, water, oil and gas in hose or pipe lines. For other services, please contact Dixon™

### Features:

- pressure rating: **600 PSI** WOG; **150 PSI** saturated steam
- bronze valve bodies, balls and stems
- blow-out proof stems
- glass-filled reinforced PTFE seats and stuffing box ring; stem seals and washers
- plated steel handles and nuts with vinyl sleeves replacements available, consult Dixon™ for pricing
- full and standard port valves are repairable
- meets WW-V 35C, Type II Composition



### female NPT x female NPT

Size	Port	Bronze	
		Part #	
1/4"	full	<b>BBV25</b>	
3/8"	full	<b>BBV38</b>	
1/2"	full	<b>BBV50</b>	
3/4"	standard	<b>BBV75</b>	
1"	standard	<b>BBV100</b>	
1 1/4"	standard	<b>BBV125</b>	
1 1/2"	standard	<b>BBV150</b>	
2"	standard	<b>BBV200</b>	
2 1/2"	standard	<b>BBV250</b>	
3"	standard	<b>BBV300</b>	

## Domestic Full Port Ball Valves

### Features:

- machined solid chrome-plated ball
- multi-fill PTFE seats and seals
- adjustable packing
- blow-out proof stem design
- bronze castings
- vacuum service to 29 inches Hg
- pressure rating: **600 PSI** WOG; **150 PSI** saturated steam



### female NPT x female NPT

Size	Port	Bronze	
		Part #	
3/4"	full	<b>BBV75FP</b>	
1"	full	<b>BBV100FP</b>	
1 1/4"	full	<b>BBV125FP</b>	
1 1/2"	full	<b>BBV150FP</b>	
2"	full	<b>BBV200FP</b>	

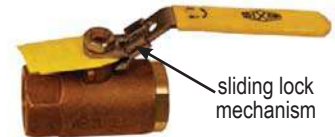
## Locking Handle Bronze Ball Valves

### Application:

- for control of air, water, oil and gas in hose or pipe lines for other services, please contact Dixon™

### Features:

- pressure rating: **600 PSI WOG**; **150 PSI** saturated steam
- blow-out proof RPTFE stem
- chrome-plated bronze ball
- Stainless steel sliding lock mechanism secures handle in open or closed position; can be padlocked open or closed.
- plated steel handles and nuts with vinyl sleeves
- full and standard port valves are repairable



### female NPT x female NPT

Size	Port	Part #	Bronze
1/4"	full	<b>BBLV25</b>	
3/8"	full	<b>BBLV38</b>	
1/2"	full	<b>BBLV50</b>	
3/4"	standard	<b>BBLV75</b>	
1"	standard	<b>BBLV100</b>	
1 1/4"	standard	<b>BBLV125</b>	
1 1/2"	standard	<b>BBLV150</b>	
2"	standard	<b>BBLV200</b>	

## Bronze Ball Valves

### Application:

- for air, water, oil and gas service

### Features:

- pressure rating: **600 PSI**, cold non-shock  
pressure rating: **150 PSI** saturated steam
- chromium plated ball
- RTFE seats and stuffing box ring
- blow-out proof stem
- adjustable packing gland



### female NPT x male NPT

Size	Port	Part #	Bronze
1/2"	full	<b>BMV50</b>	
3/4"	standard	<b>BMV75</b>	
1"	standard	<b>BMV100</b>	

## "Deadman" Spring Return Handle Bronze Ball Valves

### Features:

- pressure rating: **600 PSI WOG**; **150 PSI** saturated steam
- vacuum service to 29 inches Hg
- stainless steel lever
- chromium plated ball
- RTFE seats and stuffing box ring
- blow-out proof stem design
- adjustable packing gland
- spring return closes valve when not held open
- operating torque approximately three times standard valve torque



### female NPT x female NPT

Size	Port	Part #	Bronze
1/2"	full	<b>BBV50SR</b>	
3/4"	standard	<b>BBV75SR</b>	
1"	standard	<b>BBV100SR</b>	
1 1/2"	standard	<b>BBV150SR</b>	
2"	standard	<b>BBV200SR</b>	

## 250 Lb. Steam Ball Valves

### Application:

- recommended for use with fluids with widely varying temperatures and/or thermal expansion rates

### Features:

- pressure rating: **600 PSI**; **250 PSI** saturated steam
- vacuum service to 29 inches Hg
- bronze body
- 316 stainless steel ball and stem
- blow-out proof stem design
- multi-fill RPTFE seats
- multi-fill stuffing box ring
- high temperature MTFE stem packing
- adjustable packing gland
- maximum temperature: **450°F**



### female NPT x female NPT

Size	Port	Bronze	
		Part #	
1/2"	full	<b>BBV50ST</b>	
3/4"	standard	<b>BBV75ST</b>	
1"	standard	<b>BBV100ST</b>	
2"	standard	<b>BBV200ST</b>	

## Safety Vented Ball Valves

### Applications:

- for air service only
- vent downstream air in accordance with OSHA regulation 1910.147 for pneumatic systems

### Features:

- pressure rating: **600 PSI**
- bronze valve
- chromium plated ball
- RPTFE seats and stuffing box ring
- blow-out proof stem design
- adjustable packing gland



### female NPT x female NPT

Size	Port	Bronze	
		Part #	
1/4"	full	<b>BBV25LV</b>	
3/8"	full	<b>BBV38LV</b>	
1/2"	full	<b>BBV50LV</b>	
3/4"	standard	<b>BBV75LV</b>	
1"	standard	<b>BBV100LV</b>	
1 1/4"	standard	<b>BBV125LV</b>	
1 1/2"	standard	<b>BBV150LV</b>	
2"	standard	<b>BBV200LV</b>	

## Bronze Ball Valves with NPT Tap for Drain

### Application:

- recommended for water and air service

### Features:

- pressure rating: **125 PSI** WOG
- vent downstream air in accordance with OSHA regulations for pneumatic systems
- chromium plated ball
- RPTFE seats and stuffing box ring
- blow-out proof stem
- adjustable packing gland
- auto-drain / auto-vent
- 1/4" NPT tapped port provides additional options such as an air venting elbow or noise muffler



### female NPT x female NPT

Size	Port	Bronze	
		Part #	
1/4"	full	<b>BBV25VT</b>	
3/8"	full	<b>BBV38VT</b>	
1/2"	full	<b>BBV50VT</b>	
3/4"	full	<b>BBV75VT</b>	
1"	full	<b>BBV100VT</b>	

## Imported Brass Ball Valves

### Applications:

- for control of air, water, oil and gas in hose or pipe lines, for other services, please contact Dixon™

### Features:

- pressure rating: **600 PSI WOG**; **150 PSI** Working Steam Pressure
- forged brass body
- blow-out proof stems
- PTFE seat, seal and thrust washer
- chrome-plated brass ball and plated steel handle
- maximum temperature: **366°F**
- Underwriters Listed

#### female NPT x female NPT

Size	Port	Part #	Brass
1/4"	full	<b>FBV25</b>	
3/8"	full	<b>FBV38</b>	
1/2"	full	<b>FBV50</b>	
3/4"	full	<b>FBV75</b>	
1"	full	<b>FBV100</b>	
1 1/4"	full	<b>FBV125</b>	
1 1/2"	full	<b>FBV150</b>	
2"	full	<b>FBV200</b>	



#### female NPT x female NPT

Size	Port	Part #	Brass
2 1/2"	full	<b>FBV250</b>	
3"	full	<b>FBV300</b>	
4"	full	<b>FBV400</b>	

## Locking Handle Imported Brass Ball Valves

### Applications:

- for control of air, water, oil and gas in hose or pipe lines, for other services, please contact Dixon™

### Features:

- pressure ratings: **600 PSI WOG**; **150 PSI** Working Steam Pressure
- forged brass body
- blow-out proof stem
- PTFE seat, seal and thrust washer
- chrome-plated brass ball and plated steel handle
- maximum temperature: **366°F**

#### female NPT x female NPT

Size	Port	Part #	Brass
1/2"	full	<b>FBVL50</b>	
3/4"	full	<b>FBVL75</b>	
1"	full	<b>FBVL100</b>	
1 1/4"	full	<b>FBVL125</b>	
1 1/2"	full	<b>FBVL150</b>	
2"	full	<b>FBVL200</b>	
2 1/2"	full	<b>FBVL250</b>	
3"	full	<b>FBVL300</b>	
4"	full	<b>FBVL400</b>	



Q

## Global Brass Ball Valves

### Applications:

- for water and air only

### Features:

- pressure ratings:
  - 1/4" - 3/8" rated to **365 PSI**
  - 1/2" - 2" rated to **600 PSI**
- forged brass body
- maximum temperature: **248°F (120°C)**



### female NPT x female NPT

Size	Port	Brass	
		Part #	
1/4"	full	<b>FBVG25</b>	
3/8"	full	<b>FBVG38</b>	
1/2"	full	<b>FBVG50</b>	
3/4"	full	<b>FBVG75</b>	
1"	full	<b>FBVG100</b>	
1 1/4"	full	<b>FBVG125</b>	
1 1/2"	full	<b>FBVG150</b>	
2"	full	<b>FBVG200</b>	

## Solder End Brass Ball Valves

### Application:

- designed to provide the best protection against potential gas leakage under extreme duty or low pressure applications

### Features:

- pressure rating: **600 PSI WOG**; **150 PSI** working steam pressure
- maximum temperature: **366°F**
- brass body
- blow-out proof stem
- chrome-plated brass ball
- adjustable stem packing nut
- PTFE seat, seal, and thrust washer



Size	Port	Brass	
		Part #	
1/2"	full	<b>FBV50SE</b>	
3/4"	full	<b>FBV75SE</b>	
1"	full	<b>FBV100SE</b>	
1 1/4"	full	<b>FBV125SE</b>	
1 1/2"	full	<b>FBV150SE</b>	
2"	full	<b>FBV200SE</b>	

## Lead Free Brass Ball Valves

### Features:

- lead free refers to the wetted surface of pipes, fittings and fixtures in potable water systems that have a weighted average lead content = 0.25%. Source: California Health & Safety Code (116875). Vermont Act 193\*171NLF
- pressure rating: 600 WOG - 150 WSP
- maximum temperature: **366°F**
- PTFE seat and double O-ring stem packing

### female NPT x female NPT



Size	Port	Brass	
		Part #	
1/2"	full	<b>LFV50</b>	
3/4"	full	<b>LFV75</b>	
1"	full	<b>LFV100</b>	
1 1/4"	full	<b>LFV125</b>	
1 1/2"	full	<b>LFV150</b>	
2"	full	<b>LFV200</b>	

## 316 Stainless Steel 2-Piece Domestic Ball Valves Full Port

**Features:**

- pressure rating: **1,000 PSI** Cold Working Pressure
- pressure rating: **150 PSI** saturated steam
- vacuum service to 29 inches Hg
- 316 stainless body, ball and stem
- PTFE seal
- blow-out proof stem
- vinyl handle cover
- temperature range: **-40°F to 400°F**

**female NPT x female NPT**

Size	Port	316 Stainless Steel	
		Part #	
¼"	full	<b>DSBV25</b>	
⅜"	full	<b>DSBV38</b>	
½"	full	<b>DSBV50</b>	
¾"	full	<b>DSBV75</b>	
1"	full	<b>DSBV100</b>	
1¼"	full	<b>DSBV125</b>	
1½"	full	<b>DSBV150</b>	
2"	full	<b>DSBV200</b>	



## Stainless Steel Ball Valves Full Port

**Application:**

- for use with water, oil and gas

**Features:**

- pressure rating: ¼" - 2" rated to **1000 PSI** WOG (CWP)  
2½" - 3" rated to **800 PSI** WOG (CWP)  
**100 PSI** saturated steam
- 316 stainless steel body, ball and stem
- R-PTFE seat, joint gasket and thrust washer
- plastic cover on handle
- blow-out proof stem design
- temperature range: **-20°F to 450°F**

**female NPT x female NPT**

Size	Port	316 Stainless Steel	
		Part #	
¼"	full	<b>SSBV25</b>	
⅜"	full	<b>SSBV38</b>	
½"	full	<b>SSBV50</b>	
¾"	full	<b>SSBV75</b>	
1"	full	<b>SSBV100</b>	
1¼"	full	<b>SSBV125</b>	
1½"	full	<b>SSBV150</b>	
2"	full	<b>SSBV200</b>	
2½"	full	<b>SSBV250</b>	
3"	full	<b>SSBV300</b>	



## Stainless Steel Ball Valves

### Full Port, Locking Handle

**Application:**

- for use with water, oil and gas

**Features:**

- pressure rating: ¼" - 2" rated to **1000 PSI** WOG (CWP)  
2½" - 3" rated to **800 PSI** WOG (CWP)  
**100 PSI** saturated steam
- 316 stainless steel body, ball and stem
- R-PTFE seat, joint gasket and thrust washer
- plastic cover on handle
- blow-out proof stem design
- temperature range: **-20°F to 450°F**
- lockable

**female NPT x female NPT**

Size	Port	316 Stainless Steel	
		Part #	
¼"	full	<b>SSLBV25</b>	
⅜"	full	<b>SSLBV38</b>	
½"	full	<b>SSLBV50</b>	
¾"	full	<b>SSLBV75</b>	
1"	full	<b>SSLBV100</b>	
1¼"	full	<b>SSLBV125</b>	
1½"	full	<b>SSLBV150</b>	
2"	full	<b>SSLBV200</b>	
2½"	full	<b>SSLBV250</b>	
3"	full	<b>SSLBV300</b>	

### Reduced Port, Locking Handle

**Application:**

- for use with water, oil and gas

**Features:**

- pressure rating: **800 PSI** WOG; **100 PSI** saturated steam
- 316 stainless steel body, ball and stem
- R-PTFE seat, joint gasket and thrust washer
- plastic cover on handle
- blow-out proof stem design
- temperature range: **-20°F to 450°F**
- lockable

**female NPT x female NPT**

Size	Port	316 Stainless Steel	
		Part #	
¼"	reduced	<b>SSLBV25SP</b>	
⅜"	reduced	<b>SSLBV38SP</b>	
½"	reduced	<b>SSLBV50SP</b>	
¾"	reduced	<b>SSLBV75SP</b>	
1"	reduced	<b>SSLBV100SP</b>	
1¼"	reduced	<b>SSLBV125SP</b>	
1½"	reduced	<b>SSLBV150SP</b>	
2"	reduced	<b>SSLBV200SP</b>	

## 3-Piece Industrial Stainless Steel Ball Valves

### Features:

- blow out proof stem
- live-loaded stem packing
- swing out design for easy maintenance
- ISO 5211 mounting pad
- RTFE seat and seals
- maximum temperature: **400°F**

Size	Port	PSI @ 65°F	Body Length	Female NPT CF8M Stainless Steel		Socket Weld CF8M Stainless Steel	
				Part #	Price/E	Part #	
½"	full	<b>1000</b>	2.5"	<b>BV2IG-05011-A</b>	<b>\$105.00</b>	<b>BV2IG-05033-A</b>	
¾"	full	<b>1000</b>	3.1"	<b>BV2IG-07511-A</b>	<b>131.45</b>	<b>BV2IG-07533-A</b>	
1"	full	<b>1000</b>	3.3"	<b>BV2IG-10011-A</b>	<b>171.45</b>	<b>BV2IG-10033-A</b>	
1¼"	full	<b>1000</b>	4.1"	<b>BV2IG-12511-A</b>	<b>227.70</b>	<b>BV2IG-12533-A</b>	
1½"	full	<b>1000</b>	4.4"	<b>BV2IG-15011-A</b>	<b>311.60</b>	<b>BV2IG-15033-A</b>	
2"	full	<b>1000</b>	5.1"	<b>BV2IG-20011-A</b>	<b>443.95</b>	<b>BV2IG-20033-A</b>	
2½"	full	<b>800</b>	6.6"	<b>BV2IG-25011-A</b>	<b>887.55</b>	<b>BV2IG-25033-A</b>	
3"	full	<b>800</b>	7.3"	<b>BV2IG-30011-A</b>	<b>1260.00</b>	<b>BV2IG-30033-A</b>	
4"	full	<b>600</b>	8.9"	<b>BV2IG-40011-A</b>	<b>2178.85</b>	<b>BV2IG-40033-A</b>	



## Domestic "Deadman" Spring Return Handle Ball Valves

### Features:

- pressure rating: **2000 PSI WOG** ½" to 1"; **1500 PSI WOG** 1¼" to 2"
- **150 PSI** saturated steam, all sizes
- vacuum service to 29 inches Hg, all sizes
- PTFE seal
- blow-out proof stem design
- adjustable packing gland
- spring return closes valve when not held open
- operating torque approximately three times standard valve torque

### female NPT x female NPT

Size	Port	316 Stainless Steel	
		Part #	
½"	full	<b>SSBV50SR</b>	
¾"	standard	<b>SSBV75SR</b>	
1"	standard	<b>SSBV100SR</b>	
1¼"	standard	<b>SSBV125SR</b>	
1½"	standard	<b>SSBV150SR</b>	
2"	standard	<b>SSBV200SR</b>	



## Industrial Wafer Ball Valves

### Features:

- ANSI Class 150 wafer style ball valve
- full port, sizes 1" to 4"
- blow out proof stem
- ideal option to high performance butterflies
- space saving, anti-static stem design
- locking plate included

### Materials:

- body – CF8M
- ball and end connection – 316 stainless steel
- elastomers – FKM
- stem seal – PTFE

Size	Stainless Steel	
	Part #	
1"	<b>BV2IC-100WW-A</b>	
1¼"	<b>BV2IC-125WW-A</b>	
1½"	<b>BV2IC-150WW-A</b>	
2"	<b>BV2IC-200WW-A</b>	
2½"	<b>BV2IC-250WW-A</b>	
3"	<b>BV2IC-300WW-A</b>	
4"	<b>BV2IC-400WW-A</b>	





## Full Flow Ball Valves

### Features:

- high flow rate; low pressure drop
- wetted parts are aluminum and stainless steel
- FPM seals
- spindle can be disassembled even when ball valve is installed
- working pressure: **150 PSI** at ambient temperature (70°F)
- standard valve ports - female NPT, socket weld for Schedule 40 pipe and grooved
- optional ports include DN flange, butt weld and 150# flange, contact Dixon™ for details
- two ports - one inlet and one outlet

### One-Way with Female NPT ends



Size	Part #	Aluminum
2"	<b>1WAYBV200</b>	
3"	<b>1WAYBV300</b>	
4"	<b>1WAYBV400</b>	

### One-Way with Socket Weld End to Schedule 40 Pipe



Size	Bore	Part #	Aluminum
2"	2.390"	<b>1WAYBV200SW</b>	
3"	3.530"	<b>1WAYBV300SW</b>	

### One-Way with Grooved Ends



Size	Part #	Aluminum
2"	<b>1WAYBV200VIC</b>	
3"	<b>1WAYBV300VIC</b>	

Q

## Full Flow Ball Valves

### Features:

- high flow rate; low pressure drop
- wetted parts are aluminum and stainless steel
- FPM seals
- spindle can be disassembled even when ball valve is installed
- working pressure: **150 PSI** at ambient temperature (70°F)
- standard valve ports - female NPT, socket weld for Schedule 40 pipe and grooved
- optional ports include DN flange, butt weld and 150# flange, contact Dixon™ for details
- three ports - one inlet and two outlets, valve directs the flow from the inlet to either of the two outlets
- commonly used for switching compartments or tanks

### Two-Way with Female NPT ends

Size	Aluminum	
	Part #	
2"	<b>2WAYBV200</b>	
3"	<b>2WAYBV300</b>	
4"	<b>2WAYBV400</b>	



### Two-Way with Socket Weld End to Schedule 40 Pipe

Size	Bore	Aluminum	
		Part #	
2"	2.390"	<b>2WAYBV200SW</b>	
3"	3.530"	<b>2WAYBV300SW</b>	



### Two-Way with Grooved Ends

Size	Aluminum	
	Part #	
2"	<b>2WAYBV200VIC3</b>	
3"	<b>2WAYBV300VIC3</b>	



Q

## Carbon Steel Ball Valves

### Application:

- for control of air, water, oil and gas in hose or pipe lines, for other services, please contact Dixon™

### Features:

- pressure rating: **150 PSI** saturated steam
- carbon steel body
- chromium plated ball
- RPTFE seat and seal
- blow-out proof stem
- adjustable packing gland



### female NPT x female NPT

Size	PSI	Port	Carbon Steel	
			Part #	
1/4"	2000	full	<b>IBV25</b>	
3/8"	2000	full	<b>IBV38</b>	
1/2"	2000	standard	<b>IBV50</b>	
3/4"	2000	standard	<b>IBV75</b>	
1"	2000	standard	<b>IBV100</b>	
1 1/4"	1500	standard	<b>IBV125</b>	
1 1/2"	1500	standard	<b>IBV150</b>	
2"	1500	standard	<b>IBV200</b>	

## High Pressure Full-Bore Ball Valves

### Features:

- blow-out proof stem
- rugged construction
- FKM/FPM seals
- POM (Polyacetal) ball seats



### female NPT x female NPT

Size	PSI	Carbon Steel		PSI	316 Stainless Steel	
		NPTF Part #	SAE Part #		NPTF Part #	
1/4"	7350	<b>HPBV25</b>	<b>HPBV25SAE</b>	5880	<b>HPBV25SS</b>	
3/8"	7350	<b>HPBV38</b>	<b>HPBV38SAE</b>	5880	<b>HPBV38SS</b>	
1/2"	7350	<b>HPBV12</b>	<b>HPBV12SAE</b>	5880	<b>HPBV12SS</b>	
3/4"	6000	<b>HPBV34</b>	<b>HPBV34SAE</b>	5145	<b>HPBV34SS</b>	
1"	6000	<b>HPBV10</b>	<b>HPBV10SAE</b>	5145	<b>HPBV10SS</b>	
1 1/4"	6000	<b>HPBV125</b>	<b>HPBV125SAE</b>	---	---	
1 1/2"	6000	<b>HPBV150</b>	<b>HPBV150SAE</b>	---	---	
2"	6000	<b>HPBV200</b>	<b>HPBV200SAE</b>	---	---	

## High Pressure Full-Bore 3-Way Ball Valves

**NEW**

Q

### Features:

- temperature range: **-20°F to 215° F**
- rugged construction
- FKM seals
- POM (polyacetal) ball seats
- black oxide coating
- nickel plated ball



### female NPT x female NPT x female NPT

Size	PSI	Carbon Steel NPTF Part #	
1/2"	5145	<b>HPBV12-3WAY</b>	
3/4"	5145	<b>HPBV34-3WAY</b>	
1"	5145	<b>HPBV10-3WAY</b>	

## 150# Flanged Ball Valves

**NEW****Applications:**

- suitable for air, water, oil and gas

**Features:**

- product approvals include: LP gas shut-off valves, flammable liquid shut-off valves, gas shut-off valves, compressed gas shut-off valves, and anhydrous ammonia shut-off valves
- Body: ASTM A216 WCB
- RPTFE seat
- vacuum service to 29 inches of Hg
- pressure rating: **150 PSIG** saturated steam
- temperature up to **400°F**
- PSI rating up to **280 PSI**
- four point ISO 5211 mounting pad bolt pattern
- anti-static grounded ball and stem
- blow-out proof stem design
- bleed/drain port (cast) ½" NPT
- fire safe (graphite packing and seal)
- adjustable packing gland



Size	Port	Part #	Carbon Steel
2"	full	<b>FLBV200CS</b>	
2½"	full	<b>FLBV250CS</b>	
3"	full	<b>FLBV300CS</b>	
4"	full	<b>FLBV400CS</b>	
6"	full	<b>FLBV600CS</b>	
8"	full	<b>FLBV800CS</b>	

## Polypropylene Bolted Ball Valves

**Features:**

- pressure rating: ½" - 3" is rated to **125 PSI** at 70°F  
4" is rated to **90 PSI** at 70°F
- chemically-resistant, reinforced polypropylene
- PTFE ball seat
- EPDM O-ring body seal, FKM O-ring stem seal
- 304 stainless steel nuts and bolts
- FDA approved material

## 4-bolt valve design

**female NPT x female NPT**

Size	Port	Polypropylene		Opt Qty
		Part #		
½"	full	<b>PVFP50</b>		24
¾"	full	<b>PVFP75</b>		24
1"	full	<b>PVFP100</b>		24
1½"	full	<b>PVFP150</b>		24
1"	standard	<b>PV100</b>		24
2"	standard	<b>PV200</b>		24



Q

## 6-bolt valve design

**female NPT x female NPT**

Size	Port	Polypropylene		Opt Qty
		Part #		
2"	full	<b>PVFP200</b>		12
3"	full	<b>PVFP300</b>		8
4"	full	<b>PVFP400</b>		4



## Polypropylene Compact Bolted Ball Valves

**Features:**

- pressure rating: **125 PSI** at 70°F
- chemically-resistant, reinforced polypropylene body, PTFE ball seat
- EPDM O-ring body seal, FKM O-ring stem seals
- 304 stainless steel nuts and bolts
- FDA approved material


**female NPT x female NPT**

Size	Port	Body Length	Polypropylene	
			Part #	
2"	full	4-7/8"	<b>PVFP200</b>	

**female NPT x male adapter**

Size	Port	Body Length	Polypropylene	
			Part #	
2"	full	6-7/8"	<b>PVFP200</b>	

## Polypropylene 45° Single Union Nozzle Valve

**Features:**

- pressure rating: **125 PSI** at 70°F
- corrosion resistant polypropylene body, PTFE ball seats
- EPDM O-ring
- FDA approved material


**female NPT x nozzle**

Size	Port	Polypropylene		Pkg Qty
		Part #		
1"	full	<b>SUBVN100</b>		24

## Polypropylene Bolted Ball Valves with Nozzle

**Features:**

- pressure rating: **125 PSI** at 70°F
- chemically-resistant, reinforced polypropylene body, PTFE ball seat
- EPDM O-ring body seals, FKM O-ring stem seals
- 304 stainless steel nuts and bolts
- FDA approved material
- body-to-flange design allows for low torque operation


**female NPT x nozzle**

Size	Port	Polypropylene		Opt Qty
		Part #		
1½"	full	<b>PVFPN150</b>		12
2"	full	<b>PVFPN200</b>		9
2"	standard	<b>PVN200</b>		12

Q

## Polypropylene Single Union Ball Valves

**Features:**

- pressure rating: **125 PSI** at 70°F
- corrosion resistant polypropylene body, PTFE ball seat
- EPDM O-ring
- FDA approved material


**female NPT x female NPT**

Size	Port	Polypropylene		Pkg Qty
		Part #		
½"	full	<b>SUBV50</b>		24
¾"	full	<b>SUBV75</b>		24
1"	full	<b>SUBV100</b>		24
1¼"	full	<b>SUBV125</b>		12
1½"	full	<b>SUBV150</b>		12
2"	full	<b>SUBV200</b>		12
3"	full	<b>SUBV300</b>		4

## Domestic Gate Valves

### Features:

- Class 150
- pressure rating: **300 PSI** cold working pressure, **150 PSI** steam working pressure
- union bonnet
- ASME B1.20.1
- Grafoil® packing
- rising stem
- solid disc
- malleable iron handwheel
- 100% factory tested
- temperature range: -20°F to 406°F

Female NPT	Part #	Bronze
1/2"	<b>DBGV50</b>	
3/4"	<b>DBGV75</b>	
1"	<b>DBGV100</b>	
1 1/4"	<b>DBGV125</b>	
1 1/2"	<b>DBGV150</b>	
2"	<b>DBGV200</b>	



## Gate Valves

### Features:

- pressure rating: **200 PSI** non-shock cold water, oil, gas
- threaded bonnet
- integral seat
- adjustable packing nut
- non-rising stem
- solid wedge disc
- iron handwheel
- 100% factory tested

Female NPT	Brass		316 Stainless Steel	
	Part #		Part #	
1/4"	<b>BGV25</b>		---	
3/8"	<b>BGV38</b>		---	
1/2"	<b>BGV50</b>		<b>SSGV50</b>	
3/4"	<b>BGV75</b>		<b>SSGV75</b>	
1"	<b>BGV100</b>		<b>SSGV100</b>	
1 1/4"	<b>BGV125</b>		<b>SSGV125</b>	
1 1/2"	<b>BGV150</b>		<b>SSGV150</b>	
2"	<b>BGV200</b>		<b>SSGV200</b>	
2 1/2"	<b>BGV250</b>		---	
3"	<b>BGV300</b>		---	
4"	<b>BGV400</b>		---	



### Application:

- can be used for steam service

### Features:

- Class 800
- ASTM A105, ANSI B120.1
- bolted bonnet
- pressure rating: **1975 PSI**
- maximum temperature: **800°F**

Female NPT	Part #	Forged Steel
1/2"	<b>FSGV50</b>	
3/4"	<b>FSGV75</b>	
1"	<b>FSGV100</b>	
1 1/4"	<b>FSGV125</b>	
1 1/2"	<b>FSGV150</b>	
2"	<b>FSGV200</b>	



## Domestic Globe Valves

**Features:**

- Class 150
- pressure rating: **300 PSI** cold working pressure, **150 PSI** steam working pressure
- union bonnet
- ASME B1.20.1
- Grafoil® packing
- PTFE disc
- malleable iron handwheel
- 100% factory tested



Female NPT	Part #	Bronze
1/2"	<b>DGLBV50</b>	
3/4"	<b>DGLBV75</b>	
1"	<b>DGLBV100</b>	
1 1/4"	<b>DGLBV125</b>	
1 1/2"	<b>DGLBV150</b>	
2"	<b>DGLBV200</b>	

## Globe Valves

**Features:**

- Class 800
- ASTM A105, ANSI B120.1
- bolted bonnet
- pressure rating: **1975 PSI**
- maximum temperature: **800°F**
- can be used for steam service



Female NPT	Part #	Forged Steel
1/2"	<b>FSGLBV50</b>	
3/4"	<b>FSGLBV75</b>	
1"	<b>FSGLBV100</b>	
1 1/4"	<b>FSGLBV125</b>	
1 1/2"	<b>FSGLBV150</b>	
2"	<b>FSGLBV200</b>	

## Dual Y Valves



**Application:**

- dual action valve, ideal for compressor applications

**Features:**

- non-vented pressure rating: **600 PSI** WOG
- vented pressure rating: **125 PSI** Cold Working Pressure

**Vented**

Female NPT Inlet (1)	Female NPT Outlets (2)	Part #	Bronze
1"	3/4"	<b>BBV100DWV</b>	
1 1/4"	3/4"	<b>BBV125DWV</b>	

**Non-Vented**

Female NPT Inlet (1)	Female NPT Outlets (2)	Part #	Bronze
1"	3/4"	<b>BBV100DW</b>	
1 1/4"	3/4"	<b>BBV125DW</b>	

## Mini Ball Valves

**Features:**

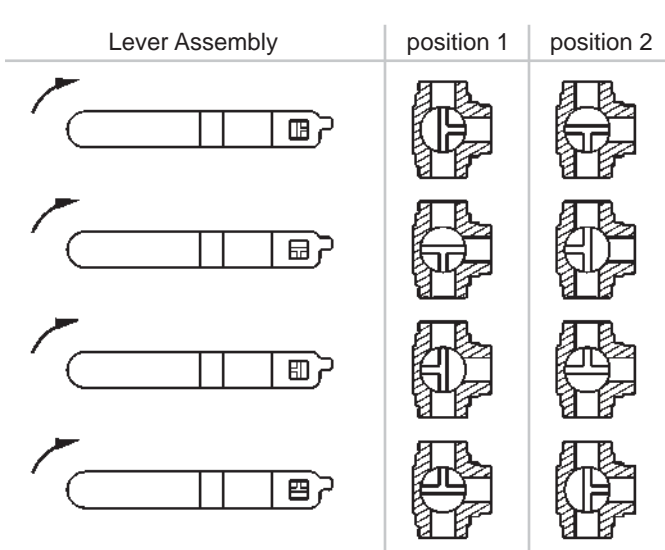
- pressure rating: **450 PSI**
- nickel plated brass body
- PTFE seats and FKM stem seal
- blow-out proof stem
- maximum temperature **330°F**
- Canadian Standard Association approved



**female NPT x female NPT**

Size	Port	Part #	Brass
1/8"	standard	<b>MBV12</b>	
1/4"	standard	<b>MBV25</b>	
3/8"	standard	<b>MBV38</b>	
1/2"	standard	<b>MBV50</b>	

## 3-Way Diverting Ball Valves T Flow Pattern



Note: ¼ turn handle can be adjusted to any orientation. Notches on the valve stem reflect the three openings on the ball.



**Features:**

- pressure rating: **400 PSI** WOG; **100 PSI** saturated steam
- brass body
- blow-out proof stem
- chrome plated brass ball
- PTFE seats, seals, and thrust washer
- adjustable stem packing
- maximum temperature: **366°F**

**female NPT x female NPT x female NPT**

Size	Port	Brass	
		Part #	
½"	standard	<b>BBV50DTW</b>	
¾"	standard	<b>BBV75DTW</b>	
1"	standard	<b>BBV100DTW</b>	
1¼"	standard	<b>BBV125DTW</b>	
1½"	standard	<b>BBV150DTW</b>	
2"	standard	<b>BBV200DTW</b>	

## L Flow Pattern

**Features:**

- can be used with gasoline and diesel fuel
- pressure rating: **400 PSI** WOG
- bronze body
- blow-out proof stem
- chromium-plated ball
- RPTFE seats and stuffing box ring
- stainless steel handle and nut with vinyl sleeve
- adjustable packing gland

**female NPT x female NPT x female NPT**

Size	Port	Bronze	
		Part #	
½"	full	<b>BBV50TW</b> <sup>1</sup>	
¾"	standard	<b>BBV75TW</b>	
1"	standard	<b>BBV100TW</b>	

<sup>1</sup> carbon steel handle and nut with vinyl sleeve

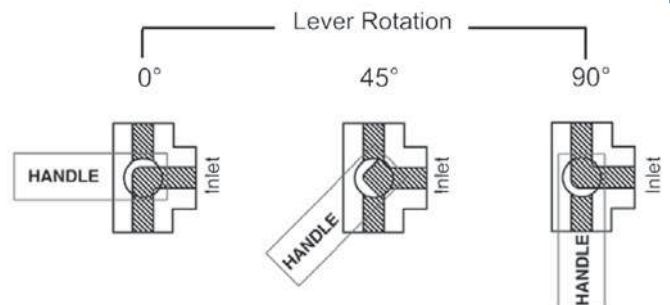


**Features:**

- rated to **800 PSI** WOG
- stainless steel body and ball
- blow-out proof stem
- RPTFE seats and stuffing box ring
- stainless steel handle and nut with vinyl sleeve
- adjustable packing gland
- meets NACE MR-01-75

**female NPT x female NPT x female NPT**

Size	Port	Stainless Steel	
		Part #	
½"	full	<b>SSBV50TW</b>	
¾"	standard	<b>SSBV75TW</b>	
1"	standard	<b>SSBV100TW</b>	





## Drum Plug Wrenches



DPW



ADPW

**Features:**

- sparkproof, natural finish is safe around flammables
- offset handle design reduces user stress and minimizes knuckle injury

Bronze		Aluminum	
Part #		Part #	
<b>DPW</b>		<b>ADPW</b>	

## Drum Faucets

### Polyethylene Drum Faucets


**Features:**

- Faucets are *not* to be used in applications where temperatures exceed **140°F (60°C)**.
- no wrench needed for screwing into drum opening
- 2" faucet is shipped with a gasket; the ¾" does not require a gasket

NPT Thread	Part #	Gold Polyethylene
¾"	<b>PEDF75</b>	
2"	<b>PEDF200</b>	

### Stainless Heavy Duty Adjustable Drum Faucet


**Features:**

- ¾" NPT connection
- adjustable shank is designed to easily adjust to proper drain position after installing in drum
- PTFE gasket
- FM approved for use with oils and non-flammables

Part #	Stainless Steel
<b>HDSSF75</b>	

### Brass Heavy Duty Adjustable Drum Faucet


**Features:**

- ¾" NPT connection
- easy to use, self-closing design
- FM approved for use with oils and non-corrosive flammables

Part #	Brass
<b>AHDBF75</b>	

### Brass Heavy Duty Drum Faucet with Rigid Shank


**Features:**

- ¾" NPT connection
- easy to use, self-closing design
- PTFE gasket
- FM approved for use with oils and non-corrosive flammables

Part #	Brass
<b>HDBF75</b>	

## Compression Bibb Faucets


**Application:**

- *for water use only*

**Features:**

- rough brass finish
- nozzle end is GHT

Male NPT Inlet	Part #	Brass
½"	<b>35-201-10</b>	
¾"	<b>35-202-10</b>	

## Drum Thread Adapter

**Application:**

- for use in gravity discharge from drums

**Features:**

- male NPSH thread with gasket on the drum side allows for a connection to drums with female NPSH thread
- male NPT end allows for a connection with the female NPT found on most ball valves



Size	Part #	Cast Brass
2" x 2"	<b>DMH20DR20</b>	

## Drum Gate Valves

**Application:**

- ideal for drawing non-flammable liquids from drums and tanks

**Features:**

- iron body
- manually operated
- machined and lapped brass faceplate designed for oval discharge, ensures no splashing and a smooth operation
- black Japanned finish
- can be padlocked



Male NPT	Part #	Iron
3/4"	<b>D71</b>	
2"	<b>D75</b>	

**Features:**

- lightweight, durable aluminum body provides improved corrosion resistance for certain fluids
- sturdy 2" handle is stamped metal with black enamel finish
- can be padlocked



Male NPT	Part #	Aluminum
2"	<b>D75AL</b>	

## Self-Closing Gate Valves

**Application:**

- ideal for dispensing viscous liquids such as oil, grease, paint, varnish and syrups from drums and tanks

**Features:**

- gray iron body, brass sliding gate and machine lapped sealing surface
- gate closes automatically when handle is released, cleaning discharge surface
- can be padlocked



Male NPT	Part #	Iron
3/4"	<b>D71SC</b>	
2"	<b>D75SC</b>	

## Electrically Actuated 2-Piece Stainless Ball Valves



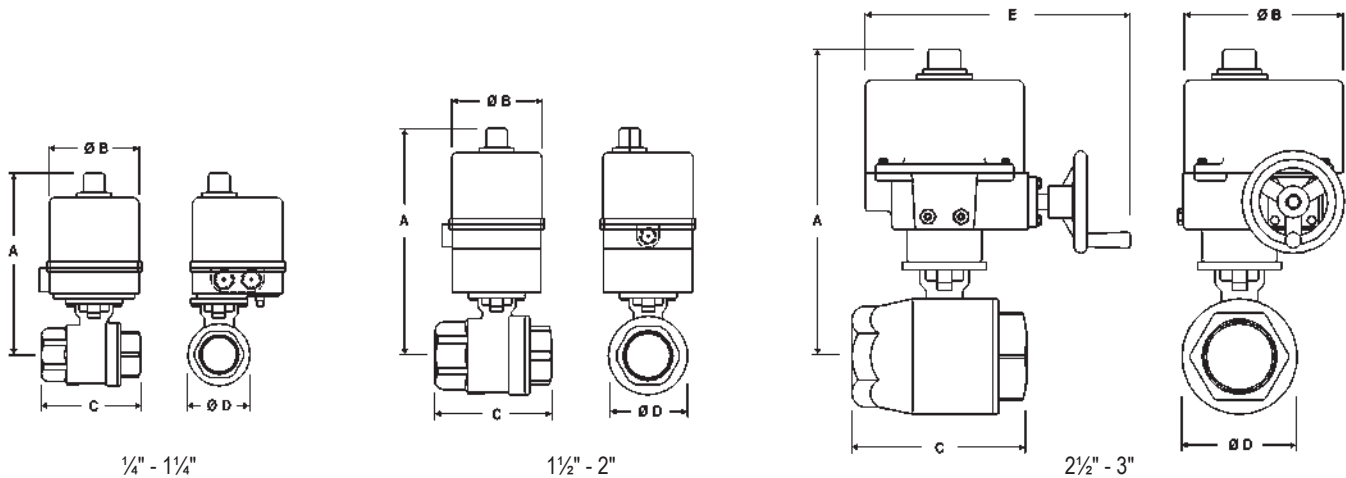
### Features:

#### 2-Piece Stainless Ball Valve

- RTFE seats and seals
- blow-out proof stem
- live-loaded stem packing
- ISO 5211 mounting pad
- pressure rating: ¼" - 2" **1000 PSI WOG**, ½" - 3" **800 PSI WOG**
- temperature range: **-40°F to 450°F**

#### Electric Actuator

- lightweight powder coated aluminum alloy housing
- NEMA 4/4X waterproof and dustproof
- extended duty cycle induction motor
- high alloy steel gear train
- H-insulation class
- visual position indication
- space heater is standard
- manual override standard: ½" - 1½"
- temperature range: **-41°F to 140°F**
- ISO 9001, CS, CE and CSA-C US Certified
- RoHS compliant



¼" - 1¼"

½" - 2"

2½" - 3"

Dimensions are approximate.

Engineering dimensions are available upon request. Specifications are subject to change without notice.

Size	Dimensions					Override	316 Stainless Steel Part #
	A	B	C	D	E		
¼"	7.79	4.50	2.56	1.40	NA	standard	<b>BV2HG-02511</b>
⅜"	7.79	4.50	2.56	1.40	NA	standard	<b>BV2HG-03811</b>
½"	7.74	4.50	2.95	1.40	NA	standard	<b>BV2HG-05011</b>
¾"	7.84	4.50	3.15	1.75	NA	standard	<b>BV2HG-07511</b>
1"	8.09	4.50	3.54	1.75	NA	standard	<b>BV2HG-10011</b>
1¼"	8.29	4.50	4.33	2.58	NA	standard	<b>BV2HG-12511</b>
1½"	8.69	4.50	4.72	2.97	NA	N/A	<b>BV2HG-15011</b>
2"	11.13	4.50	5.51	2.73	NA	N/A	<b>BV2HG-20011</b>
2½"	13.72	7.08	7.28	4.68	12.83	handwheel	<b>BV2HG-25011-EP<sup>1</sup></b>
2½"	10.69	6.06	7.28	4.68	NA	N/A	<b>BV2HG-25011</b>
3"	13.72	7.08	8.07	5.44	12.83	handwheel	<b>BV2HG-30011</b>

<sup>1</sup> for 110VAC 2½" with manual override use -EP

A wide variety of options are available: modulating, extra switches, transmitters, potentiometer, etc. Contact Dixon™ at 800.789.1718 or visit [dixonvalve.com](http://dixonvalve.com) for details.



### Caution !

Even though there are torque safety factors built into our automated ball valve packages, actual service conditions must also be considered when selecting the proper product for the appropriate application.

For example: Severe service conditions such as dirty water, dirty air, all slurries, raw sewage water, oils, and other viscous fluids can have a dramatic affect in raising the torque requirements of ball valves as much as 75% and therefore larger actuators may be required.

Please consult Dixon™ when dealing with these types of applications.



## Pneumatically Actuated 2-Piece Stainless Ball Valves

### Features:

#### 2-Piece Stainless Ball Valve

- RTFE seats and seals
- blow-out proof stem
- live-loaded stem packing
- ISO 5211 mounting pad
- pressure rating: ¼" - 2" **1000 PSI WOG**, 2½" - 3" **800 PSI WOG**
- temperature range: ¼" to 2": **-40°F to 350°F**,  
2½" to 3": **-40°F to 325°F**

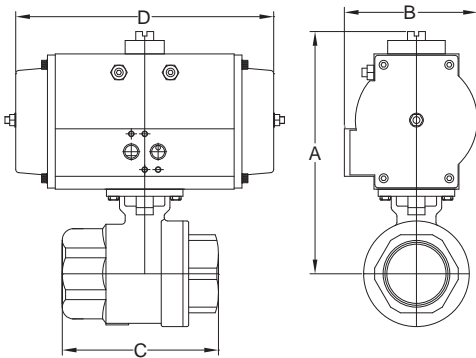
#### Rack and Pinion Actuator

- hard anodized aluminum body
- nickel plated anti-blowout pinion
- Buna-N O-rings
- NAMUR mounting
- bi-directional stops for  $\pm 5^\circ$  travel adjustment
- **80 PSI** plant air required
- visual position indication
- maximum operating pressure: **120 PSI**
- temperature range: **-40°F to 200°F**
- tested to one million cycles



### Spring Return (normally closed)

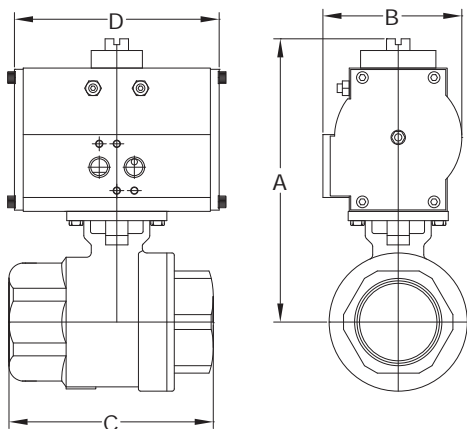
Dimensions are approximate. Engineering dimensions are available upon request. Specifications are subject to change without notice.



Size	Dimensions				316 Stainless Steel	
	A	B	C	D	Part #	
¼"	5.21	2.80	2.56	5.49	<b>BV2HG-02511-BBC</b>	
⅜"	5.21	2.80	2.56	5.49	<b>BV2HG-03811-BBC</b>	
½"	5.16	2.80	2.95	5.49	<b>BV2HG-05011-BBC</b>	
¾"	5.26	2.80	3.15	5.49	<b>BV2HG-07511-BBC</b>	
1"	6.64	3.74	3.54	8.09	<b>BV2HG-10011-BBC</b>	
1¼"	6.84	3.74	4.33	8.09	<b>BV2HG-12511-BBC</b>	
1½"	8.14	4.69	4.72	9.84	<b>BV2HG-15011-BBC</b>	
2"	8.69	4.69	5.51	9.84	<b>BV2HG-20011-BBC</b>	
2½"	9.54	5.53	7.28	13.98	<b>BV2HG-25011-BBC</b>	
3"	11.39	7.29	8.07	16.61	<b>BV2HG-30011-BBC</b>	

### Double Acting

Dimensions are approximate. Engineering dimensions are available upon request. Specifications are subject to change without notice.



Size	Dimensions				316 Stainless Steel	
	A	B	C	D	Part #	
¼"	4.25	1.77	2.56	4.33	<b>BV2HG-02511-BCC</b>	
⅜"	4.25	1.77	2.56	4.33	<b>BV2HG-03811-BCC</b>	
½"	4.20	1.77	2.95	4.33	<b>BV2HG-05011-BCC</b>	
¾"	4.30	1.77	3.15	4.33	<b>BV2HG-07511-BCC</b>	
1"	5.89	3.20	3.54	5.68	<b>BV2HG-10011-BCC</b>	
1¼"	6.09	3.20	4.33	5.68	<b>BV2HG-12511-BCC</b>	
1½"	7.24	3.74	4.72	5.87	<b>BV2HG-15011-BCC</b>	
2"	7.79	3.74	5.51	5.87	<b>BV2HG-20011-BCC</b>	
2½"	8.75	4.69	7.28	7.20	<b>BV2HG-25011-BCC</b>	
3"	10.01	5.53	8.07	10.22	<b>BV2HG-30011-BCC</b>	

A wide variety of switches, solenoids, positioners, etc., are available.  
Contact Dixon™ at 800.789.1718 or visit [dixonvalve.com](http://dixonvalve.com) for details.



#### Caution !

Even though there are torque safety factors built into our automated ball valve packages, actual service conditions must also be considered when selecting the proper product for the appropriate application.

*For example:* Severe service conditions such as dirty water, dirty air, all slurries, raw sewage water, oils, and other viscous fluids can have a dramatic effect in raising the torque requirements of ball valves as much as 75% and therefore larger actuators may be required. Please consult Dixon™ when dealing with these types of applications.



## Electrically Actuated 3-Piece Stainless Ball Valves

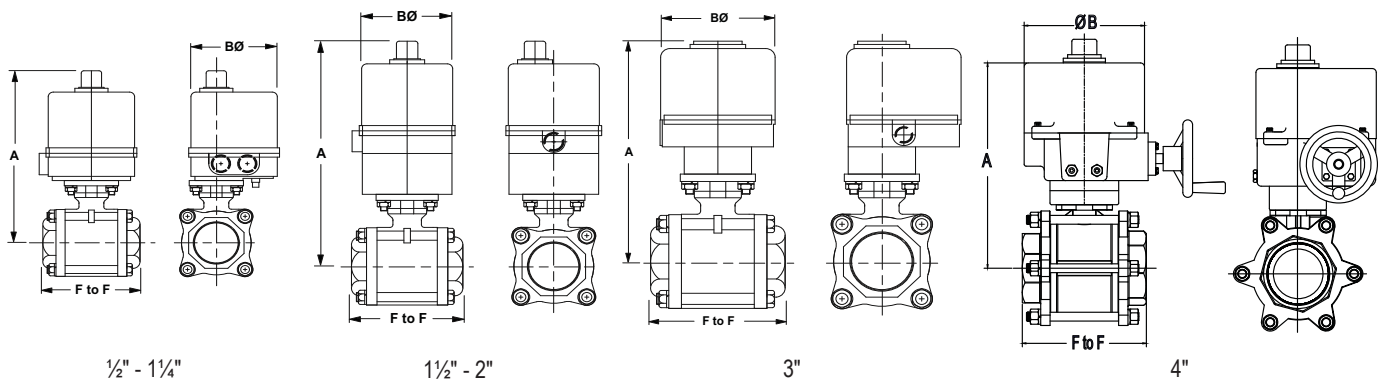
## Features:

## 3-Piece Stainless Ball Valve

- 15% glass reinforced RTFE seats
- blow-out proof stainless steel stem
- live-loaded stem packing
- ISO 5211 mounting pad
- swing out in-line easy maintenance
- pressure rating: ½" - 2" **1000 PSI WOG**  
3" **800 PSI WOG**
- temperature range: ½" to 2": **-40°F to 350°F**,  
3" to 4": **-40°F to 325°F**

## Electric Actuator

- lightweight powder coated aluminum alloy housing
- NEMA 4/4X waterproof and dustproof
- extended duty cycle induction motor
- high alloy steel gear train
- H-insulation class
- visual position indication
- space heater is standard
- manual override standard: ½" - 1½" sizes
- temperature range: **-41°F to 140°F**
- ISO 9001, CS, CE and CSA-C US Certified
- RoHS compliant



½" - 1¼"

1½" - 2"

3"

4"

Dimensions are approximate.

Engineering dimensions are available upon request. Specifications are subject to change without notice.

Size	Dimensions			Override	316 Stainless Steel Part #
	F to F	A	B		
½"	2.6	7.8	4.5	standard	<b>BV2IG-05011</b>
¾"	3.0	8.0	4.5	standard	<b>BV2IG-07511</b>
1"	3.4	8.3	4.5	standard	<b>BV2IG-10011</b>
1¼"	4.0	8.5	4.5	standard	<b>BV2IG-12511</b>
1½"	4.7	9.2	4.5	N/A	<b>BV2IG-15011</b>
2"	5.2	11.4	4.5	N/A	<b>BV2IG-20011</b>
3"	7.2	12.2	6.1	N/A	<b>BV2IG-30011</b>
4"	8.9	16.1	7.1	N/A	<b>BV2IG-40011</b>

A wide variety of options are available: modulating, extra switches, transmitters, potentiometer, etc.  
Contact Dixon™ at 800.789.1718 or visit Dixon™valve.com for details.



## Caution !

Even though there are torque safety factors built into our automated ball valve packages, actual service conditions must also be considered when selecting the proper product for the appropriate application.

For example: Severe service conditions such as dirty water, dirty air, all slurries, raw sewage water, oils, and other viscous fluids can have a dramatic affect in raising the torque requirements of ball valves as much as 75% and therefore larger actuators may be required. Please consult Dixon™ when dealing with these types of applications.



## Pneumatically Actuated 3-Piece Stainless Ball Valves

### Features:

#### 3-Piece Stainless Ball Valve

- 15% glass reinforced RTFE seats
- blow-out proof stainless steel stem
- live-loaded stem packing
- ISO 5211 mounting pad
- swing out in-line easy maintenance
- pressure rating: ½" - 2" **1000 PSI WOG**  
3" **800 PSI WOG**
- temperature range: ½" to 2" **-40°F to 350°F**,  
**3" to 4": -40°F to 325°F**

#### Rack and Pinion Actuator

- hard anodized aluminum body
- nickel plated anti-blowout pinion
- Buna-N O-rings
- NAMUR mounting
- bi-directional stops for  $\pm 5^\circ$  travel adjustment
- **80 PSI** plant air required
- visual position indication
- maximum operating pressure: **120 PSI**
- temperature range: **-40°F to 200°F**
- tested to one million cycles

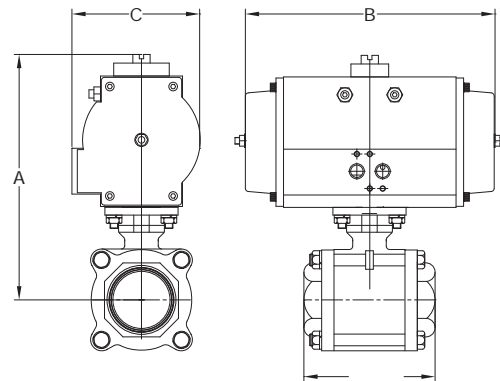


### Spring Return (normally closed)

Dimensions are approximate. Engineering dimensions are available upon request. Specifications are subject to change without notice.

Size	Dimensions				316 Stainless Steel Part #
	F to F	A	B	C	
½"	2.6	7.0	7.7	3.2	<b>BV2IG-05011-BBC</b> <sup>1</sup>
¾"	3.0	7.2	7.7	3.2	<b>BV2IG-07511-BBC</b> <sup>1</sup>
1"	3.4	6.1	7.7	3.2	<b>BV2IG-10011-BBC</b>
1¼"	4.0	6.3	7.7	3.2	<b>BV2IG-12511-BBC</b>
1½"	4.7	7.7	8.1	3.7	<b>BV2IG-15011-BBC</b>
2"	5.2	8.8	8.1	3.7	<b>BV2IG-20011-BBC</b>
3"	7.2	10.2	9.8	4.7	<b>BV2IG-30011-BBC</b>
4"	8.9	12.4	10.9	5.5	<b>BV2IG-40011-BBC</b>

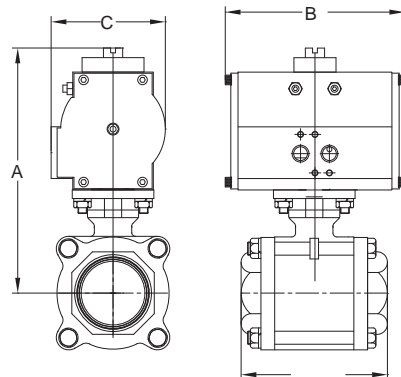
<sup>1</sup> bracket and coupler required for ½" and ¾" spring return actuator



### Double Acting

Dimensions are approximate. Engineering dimensions are available upon request. Specifications are subject to change without notice.

Size	Dimensions				316 Stainless Steel Part #
	F to F	A	B1	C	
½"	2.6	5.0	4.7	2.4	<b>BV2IG-05011-BCC</b>
¾"	3.0	5.2	4.7	2.4	<b>BV2IG-07511-BCC</b>
1"	3.4	6.1	5.7	3.2	<b>BV2IG-10011-BCC</b>
1¼"	4.0	6.3	5.7	3.2	<b>BV2IG-12511-BCC</b>
1½"	4.7	7.7	5.9	3.7	<b>BV2IG-15011-BCC</b>
2"	5.2	8.0	5.9	3.7	<b>BV2IG-20011-BCC</b>
3"	7.2	10.2	7.2	4.7	<b>BV2IG-30011-BCC</b>
4"	8.9	13.8	16.3	7.2	<b>BV2IG-40011-BCC</b>



A wide variety of switches, solenoids, positioners, etc., are available.  
Contact Dixon™ at 800.789.1718 or visit Dixon™valve.com for details.



#### Caution!

Even though there are torque safety factors built into our automated ball valve packages, actual service conditions must also be considered when selecting the proper product for the appropriate application.

*For example:* Severe service conditions such as dirty water, dirty air, all slurries, raw sewage water, oils, and other viscous fluids can have a dramatic affect in raising the torque requirements of ball valves as much as 75% and therefore larger actuators may be required. Please consult Dixon™ when dealing with these types of applications.



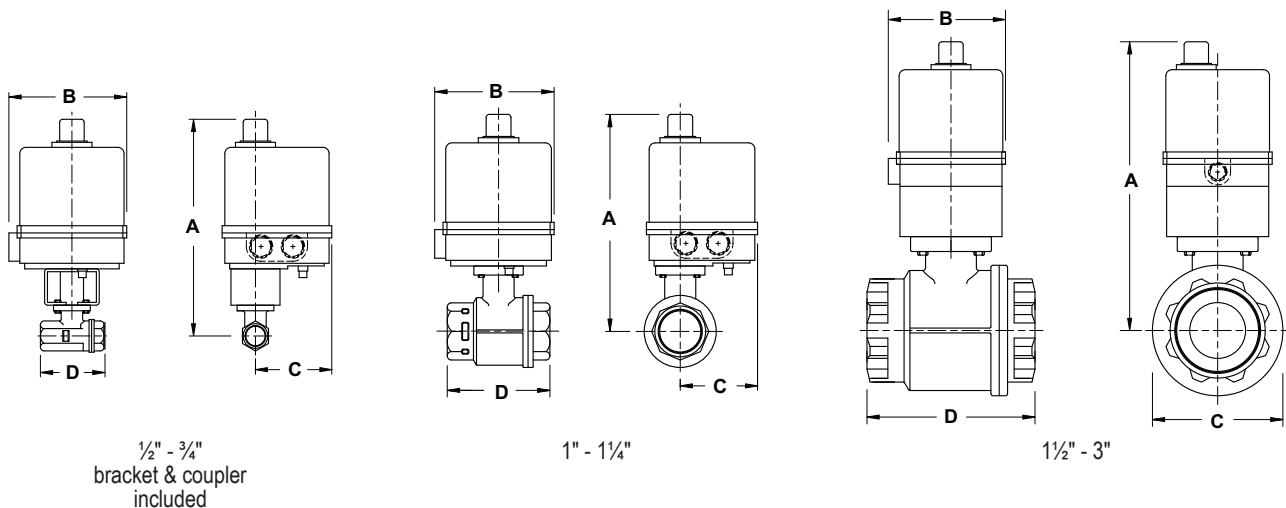
## Electrically Actuated Brass Ball Valves

**Features:****2-Piece Brass Ball Valve**

- brass, body and ball
- FKM elastomers
- blow-out proof brass stem
- PTFE seats with double O-ring stem packing
- ISO 5211 mounting pad
- pressure rating: - **600 PSI WOG**  
- **150 PSI WSP**
- maximum temperature: **300°F**

**Electric Actuator**

- lightweight powder coated aluminum alloy housing
- NEMA 4/4X waterproof and dustproof
- extended duty cycle induction motor
- high alloy steel gear train
- H-insulation class
- visual position indication
- space heater is standard
- manual override standard: 1/2" - 1 1/2" sizes
- temperature range: **-41°F to 140°F**
- ISO 9001, CS, CE and CSA-C US Certified
- RoHS compliant



1/2" - 3/4"  
bracket & coupler  
included

1" - 1 1/4"

1 1/2" - 3"

*Dimensions are approximate.*

*Engineering dimensions are available upon request. Specifications are subject to change without notice.*

Size	Dimensions				Override	Brass Part #
	A	B	C	D		
1/2"	8.8	4.5	3.1	2.6	standard	<b>BV2BV-05011</b>
3/4"	9.2	4.5	3.1	3.0	standard	<b>BV2BV-07511</b>
1"	9.4	4.5	3.1	3.4	standard	<b>BV2BV-10011</b>
1 1/4"	9.5	4.5	3.1	3.7	standard	<b>BV2BV-12511</b>
1 1/2"	8.7	4.5	3.1	4.1	N/A	<b>BV2BV-15011</b>
2"	9.0	4.5	3.1	4.8	N/A	<b>BV2BV-20011</b>
3"	11.8	6.1	5.4	6.9	N/A	<b>BV2BV-30011</b>

A wide variety of options are available: modulating, extra switches, transmitters, potentiometer, etc.  
Contact Dixon™ at 800.789.1718 or visit [dixonvalve.com](http://dixonvalve.com) for details.

**Caution !**

Even though there are torque safety factors built into our automated ball valve packages, actual service conditions must also be considered when selecting the proper product for the appropriate application.

*For example:* Severe service conditions such as dirty water, dirty air, all slurries, raw sewage water, oils, and other viscous fluids can have a dramatic affect in raising the torque requirements of ball valves as much as 75% and therefore larger actuators may be required. Please consult Dixon™ when dealing with these types of applications.



## Pneumatically Actuated Brass Ball Valves

### Features:

#### 2-Piece Brass Ball Valve

- brass, body and ball
- FKM elastomers
- blow-out proof brass stem
- PTFE seats with double O-ring stem packing
- ISO 5211 mounting pad
- pressure rating: - **600 PSI WOG**  
- **150 PSI WSP**
- maximum temperature: **300°F**

#### Rack and Pinion Actuator

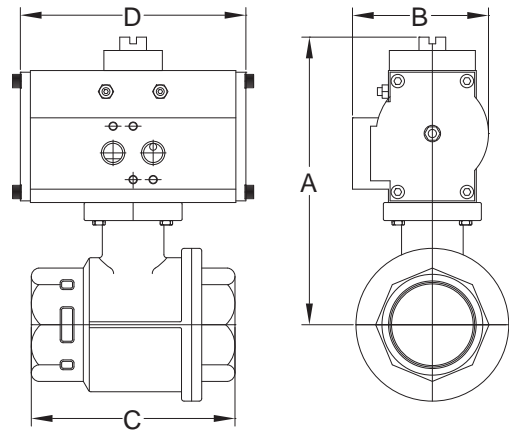
- hard anodized aluminum body
- nickel plated anti-blowout pinion
- Buna-N O-rings
- NAMUR mounting
- bi-directional stops for  $\pm 5^\circ$  travel adjustment
- **80 PSI** plant air required
- visual position indication
- maximum operating pressure: **120 PSI**
- temperature range: **-40°F to 200°F**
- tested to one million cycles



### Spring Return (normally closed)

All dimensions are given in inches, unless noted. Dimensions are approximate. Engineering dimensions are available upon request. Specifications are subject to change without notice.

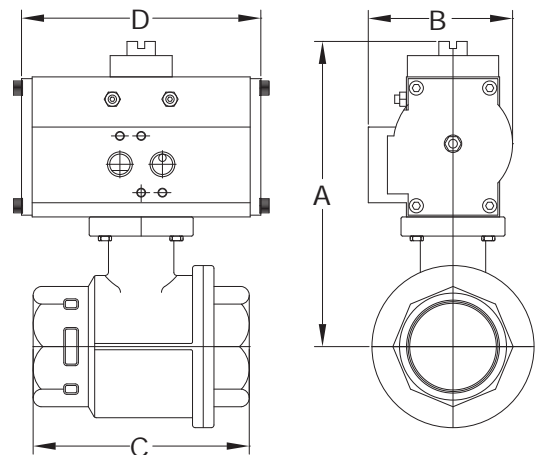
Size	Dimensions				Brass	
	A	B	C	D	Part #	
1/4"	4.80	2.80	2.64	5.49	<b>BV2BV-02511-BBC</b>	
3/8"	4.80	2.80	2.64	5.49	<b>BV2BV-03811-BBC</b>	
1/2"	4.80	2.80	2.64	5.49	<b>BV2BV-05011-BBC</b>	
3/4"	4.88	2.80	3.00	5.49	<b>BV2BV-07511-BBC</b>	
1"	5.31	2.80	3.35	5.49	<b>BV2BV-10011-BBC</b>	
1 1/4"	5.45	2.80	3.66	5.49	<b>BV2BV-12511-BBC</b>	
1 1/2"	6.04	2.80	4.13	5.49	<b>BV2BV-15011-BBC</b>	
2"	6.40	2.80	4.80	5.49	<b>BV2BV-20011-BBC</b>	
2 1/2"	8.13	3.74	6.10	8.09	<b>BV2BV-25011-BBC</b>	
3"	8.50	3.74	6.89	8.09	<b>BV2BV-30011-BBC</b>	
4"	10.14	4.69	8.03	9.84	<b>BV2BV-40011-BBC</b>	



### Double Acting

Dimensions are approximate. Engineering dimensions are available upon request. Specifications are subject to change without notice.

Size	Dimensions				Brass	
	A	B	C	D	Part #	
1/4"	3.84	1.77	2.64	4.33	<b>BV2BV-02511-BCC</b>	
3/8"	3.84	1.77	2.64	4.33	<b>BV2BV-03811-BCC</b>	
1/2"	3.84	1.77	2.64	4.33	<b>BV2BV-05011-BCC</b>	
3/4"	3.92	1.77	3.00	4.33	<b>BV2BV-07511-BCC</b>	
1"	4.35	1.77	3.35	4.33	<b>BV2BV-10011-BCC</b>	
1 1/4"	4.49	1.77	3.66	4.33	<b>BV2BV-12511-BCC</b>	
1 1/2"	6.42	3.20	4.13	5.68	<b>BV2BV-15011-BCC</b>	
2"	6.78	3.20	4.80	5.68	<b>BV2BV-20011-BCC</b>	
2 1/2"	8.13	3.74	6.10	5.87	<b>BV2BV-25011-BCC</b>	
3"	8.50	3.74	6.89	5.87	<b>BV2BV-30011-BCC</b>	
4"	10.14	4.69	8.03	7.20	<b>BV2BV-40011-BCC</b>	



A wide variety of switches, solenoids, positioners, etc., are available. Contact Dixon™ at 800.789.1718 or visit [dixonvalve.com](http://dixonvalve.com) for details.



#### Caution !

Even though there are torque safety factors built into our automated ball valve packages, actual service conditions must also be considered when selecting the proper product for the appropriate application.

For example: Severe service conditions such as dirty water, dirty air, all slurries, raw sewage water, oils, and other viscous fluids can have a dramatic affect in raising the torque requirements of ball valves as much as 75% and therefore larger actuators may be required. Please consult Dixon™ when dealing with these types of applications.





# Electrically Actuated 3-Way Stainless Ball Valves - 'T / L' Port

**Features:**

**3-Way Stainless Ball Valve**

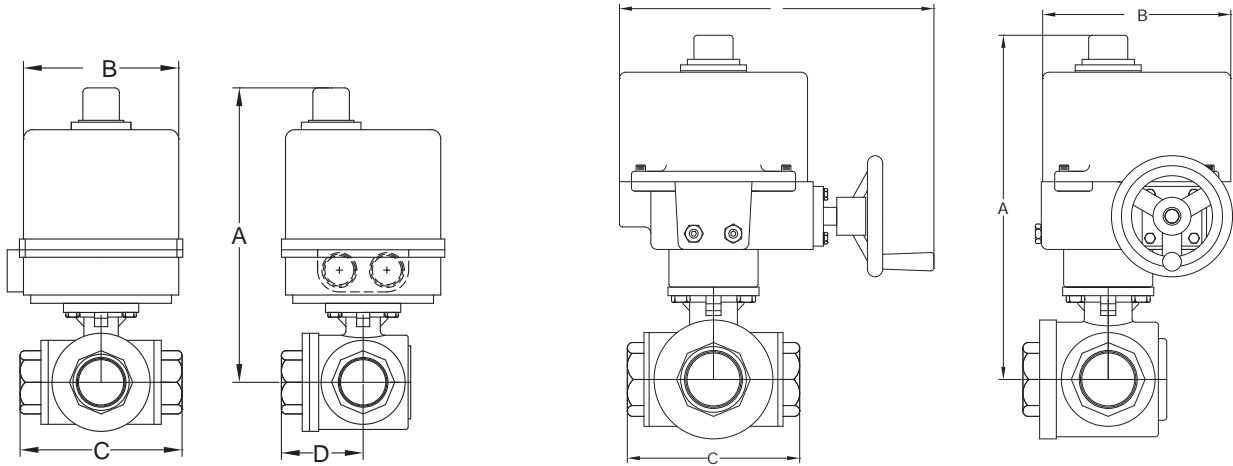
- full port
- female NPT ends
- blow-out proof stem
- live-loaded stem packing
- ISO 5211 mounting pad
- 100% air tested under water at **80 PSI**
- working pressure: ¼" to 1": **1000 PSI**;  
1¼" to 2": **800 PSI**
- maximum temperature: **300°F**

**Electric Actuator**

- lightweight powder coated aluminum alloy housing
- NEMA 4/4X waterproof and dustproof
- extended duty cycle induction motor
- high alloy steel gear train
- H-insulation class
- visual position indication
- space heater is standard
- manual override standard: ½" - 1½" sizes
- temperature range: **-41°F to 140°F**
- ISO 9001, CS, CE and CSA-C US Certified
- RoHS compliant



- see page 706 for flow path options
- A flow path needs to be selected at time of order. If no flow path is selected, the option number labeled as default will be shipped.
- Customer verification is critical. If flow path needs to be changed after being shipped, labor and shipping charges will apply.
- for spring return actuators must note fail position



Dimensions are approximate. Engineering dimensions are available upon request. Specifications are subject to change without notice. \* T = t style \* L = l style

Size	Dimensions					Override	316 Stainless Steel Part #
	A	B	C	D	E		
¼"	9.01	6.06	2.83	1.41	N/A	standard	<b>BV3IG*F-0251</b>
⅜"	9.01	6.06	2.83	1.41	N/A	standard	<b>BV3IG*F-0381</b>
½"	9.21	6.06	3.26	1.63	N/A	standard	<b>BV3IG*F-0501</b>
¾"	9.21	6.06	3.89	1.94	N/A	standard	<b>BV3IG*F-0751</b>
1"	9.74	6.06	4.40	2.20	N/A	standard	<b>BV3IG*F-1001</b>
1¼"	10.04	6.06	4.92	2.46	N/A	standard	<b>BV3IG*F-1251</b>
1½"	12.92	7.87	5.86	2.93	12.99	handwheel	<b>BV3IG*F-1501</b>
2"	13.67	7.87	6.85	3.42	12.99	handwheel	<b>BV3IG*F-2001</b>

A wide variety of options are available: modulating, extra switches, transmitters, potentiometer, etc. Contact Dixon™ at 800.789.1718 or visit [dixonvalve.com](http://dixonvalve.com) for details.

**Caution !**

Even though there are torque safety factors built into our automated ball valve packages, actual service conditions must also be considered when selecting the proper product for the appropriate application.

For example: Severe service conditions such as dirty water, dirty air, all slurries, raw sewage water, oils, and other viscous fluids can have a dramatic affect in raising the torque requirements of ball valves as much as 75% and therefore larger actuators may be required. Please consult Dixon™ when dealing with these types of applications.

# Pneumatically Actuated 3-Way Stainless Ball Valves - 'T / L' Port

- see page 706 for flow path options
- A flow path needs to be selected at time of order. If no flow path is selected, the option number labeled as default will be shipped.
- Customer verification is critical. If flow path needs to be changed after being shipped, labor and shipping charges will apply.
- for spring return actuators must note fail position



**Features:**

**3-Way Stainless Ball Valve**

- full port
- female NPT ends
- blow-out proof stem
- live-loaded stem packing
- ISO 5211 mounting pad
- 100% air tested under water at **80 PSI**
- working pressure: ¼" to 1": **1000 PSI**; 1¼" to 2": **800 PSI**
- maximum temperature: **300°F**

**Rack and Pinion Actuator**

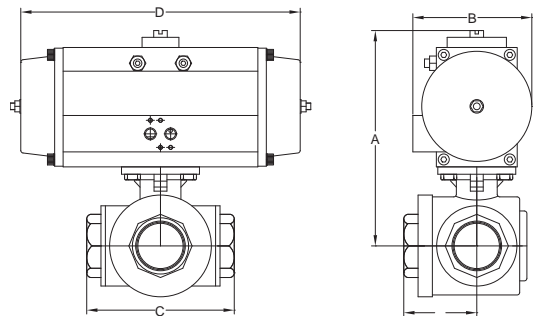
- hard anodized aluminum body
- nickel plated anti-blowout pinion
- Buna-N O-rings
- NAMUR mounting
- bi-directional stops for ±5° travel adjustment
- **80 PSI** plant air required
- visual position indication
- maximum operating pressure: **120 PSI**
- temperature range: **-40°F to 200°F**
- tested to one million cycles

## Spring Return (normally closed)

All dimensions are given in inches, unless noted. Dimensions are approximate. Engineering dimensions are available upon request. Specifications are subject to change without notice.

- \* T = t-style
- \* L = l-style

Size	Dimensions					316 Stainless Steel	
	A	B	C	D	E	Part #	
¼"	5.35	3.20	2.83	7.10	1.41	<b>BV3IG*F-0251BBC</b>	
⅜"	5.35	3.20	2.83	7.10	1.41	<b>BV3IG*F-0381BBC</b>	
½"	5.55	3.20	3.26	7.10	1.63	<b>BV3IG*F-0501BBC</b>	
¾"	6.30	3.74	3.89	7.45	1.94	<b>BV3IG*F-0751BBC</b>	
1"	6.83	3.74	4.40	7.45	2.20	<b>BV3IG*F-1001BBC</b>	
1¼"	7.13	3.74	4.92	7.45	2.46	<b>BV3IG*F-1251BBC</b>	
1½"	8.43	4.69	5.86	9.10	2.93	<b>BV3IG*F-1501BBC</b>	
2"	9.97	5.53	6.85	12.99	3.42	<b>BV3IG*F-2001BBC</b>	

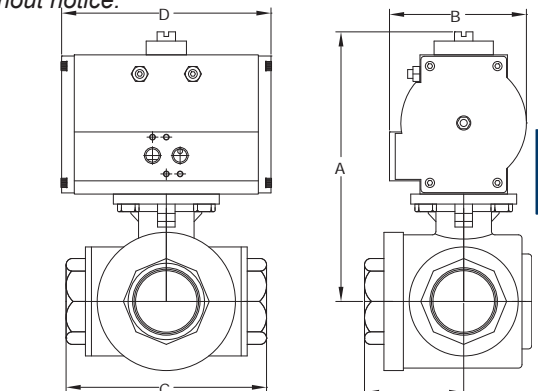


## Double Acting

Dimensions are approximate. Engineering dimensions are available upon request. Specifications are subject to change without notice.

- \* T = t-style
- \* L = l-style

Size	Dimensions					316 Stainless Steel	
	A	B	C	D	E	Part #	
⅜"	5.35	3.20	2.83	7.10	1.41	<b>BV3IG*F-0381BCC</b>	
½"	5.55	3.20	3.26	7.10	1.63	<b>BV3IG*F-0501BCC</b>	
¾"	6.30	3.74	3.89	7.45	1.94	<b>BV3IG*F-0751BCC</b>	
1"	6.83	3.74	4.40	7.45	2.20	<b>BV3IG*F-1001BCC</b>	
1¼"	7.13	3.74	4.92	7.45	2.46	<b>BV3IG*F-1251BCC</b>	
1½"	8.43	4.69	5.86	9.10	2.93	<b>BV3IG*F-1501BCC</b>	
2"	9.97	5.53	6.85	12.99	3.42	<b>BV3IG*F-2001BCC</b>	



A wide variety of switches, solenoids, positioners, etc., are available. Contact Dixon™ at 800.789.1718 or visit [dixonvalve.com](http://dixonvalve.com) for details.

**Caution !**

Even though there are torque safety factors built into our automated ball valve packages, actual service conditions must also be considered when selecting the proper product for the appropriate application.

*For example:* Severe service conditions such as dirty water, dirty air, all slurries, raw sewage water, oils, and other viscous fluids can have a dramatic affect in raising the torque requirements of ball valves as much as 75% and therefore larger actuators may be required. Please consult Dixon™ when dealing with these types of applications.

# Electrically Actuated 3-Way Brass Ball Valves - 'T / L' Port

**Features:**

**3-Way Brass Ball Valve**

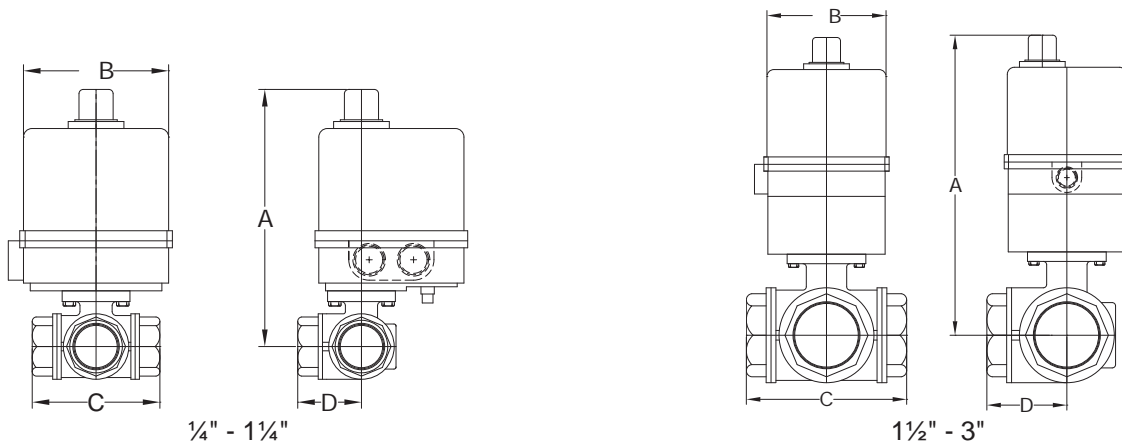
- reduced port
- blow-out proof stem
- brass body and chrome-plated brass ball
- PTFE seats with O-ring backing for low operating torque
- PTFE seats and double O-ring stem packing
- ISO 5211 mounting pad
- 100% tested
- pressure rating: **400 PSI WOG, 100 PSI WSP**
- maximum temperature: **300°F**

**Electric Actuator**

- lightweight powder coated aluminum alloy housing
- NEMA 4/4X waterproof and dustproof
- extended duty cycle induction motor
- high alloy steel gear train
- H-insulation class
- visual position indication
- space heater is standard
- manual override standard: 1/2" - 1 1/2" sizes
- temperature range: **-41°F to 140°F**
- ISO 9001, CS, CE and CSA-C US Certified
- RoHS compliant



- see page 706 for flow path options
- A flow path needs to be selected at time of order. If no flow path is selected, the option number labeled as default will be shipped.
- Customer verification is critical. If flow path needs to be changed after being shipped, labor and shipping charges will apply.
- for spring return actuators must note fail position



Dimensions are approximate. Engineering dimensions are available upon request. Specifications are subject to change without notice.

\* T = t-style  
\* L = l-style

Size	Dimensions				Override	Brass Part #
	A	B	C	D		
1/4"	8.76	6.06	2.64	1.32	standard	<b>BV3BV*R-0251</b>
3/8"	8.76	6.06	2.64	1.32	standard	<b>BV3BV*R-0381</b>
1/2"	8.76	6.06	2.87	1.44	standard	<b>BV3BV*R-0501</b>
3/4"	8.85	6.06	3.19	1.60	standard	<b>BV3BV*R-0751</b>
1"	9.19	6.06	3.74	1.87	standard	<b>BV3BV*R-1001</b>
1 1/4"	9.41	6.06	4.39	2.20	standard	<b>BV3BV*R-1251</b>
1 1/2"	9.90	6.06	4.86	2.43	N/A	<b>BV3BV*R-1501</b>
2"	10.89	4.25	5.73	2.87	N/A	<b>BV3BV*R-2001</b>
2 1/2"	11.34	4.25	6.93	3.47	N/A	<b>BV3BV*R-2501</b>
3"	11.34	4.25	7.08	3.54	N/A	<b>BV3BV*R-3001</b>

A wide variety of options are available: modulating, extra switches, transmitters, potentiometer, etc. Contact Dixon™ at 800.789.1718 or visit [dixonvalve.com](http://dixonvalve.com) for details.

**Caution !**

Even though there are torque safety factors built into our automated ball valve packages, actual service conditions must also be considered when selecting the proper product for the appropriate application.

*For example:* Severe service conditions such as dirty water, dirty air, all slurries, raw sewage water, oils, and other viscous fluids can have a dramatic affect in raising the torque requirements of ball valves as much as 75% and therefore larger actuators may be required. Please consult Dixon™ when dealing with these types of applications.

# Pneumatically Actuated 3-Way Brass Ball Valves - 'T / L' Port

- see page 706 for flow path options
- A flow path needs to be selected at time of order. If no flow path is selected, the option number labeled as default will be shipped.
- Customer verification is critical. If flow path needs to be changed after being shipped, labor and shipping charges will apply.
- for spring return actuators must note fail position



**Features:**

**3-Way Brass Ball Valve**

- reduced port
- blow-out proof stem
- brass body and chrome-plated brass ball
- PTFE seats with O-ring backing for low operating torque
- PTFE seats and double O-ring stem packing
- ISO 5211 mounting pad
- 100% tested
- pressure rating: **400 PSI WOG 100 PSI WSP**
- maximum temperature: **300°F**

**Rack and Pinion Actuator**

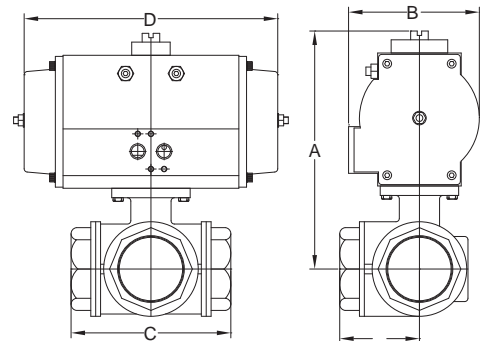
- hard anodized aluminum body
- nickel plated anti-blowout pinion
- Buna-N O-rings
- NAMUR mounting
- bi-directional stops for  $\pm 5^\circ$  travel adjustment
- 80 PSI plant air required
- visual position indication
- maximum operating pressure: **120 PSI**
- temperature range: **-40°F to 200°F**
- tested to one million cycles

## Spring Return (normally closed)

All dimensions are given in inches, unless noted. Dimensions are approximate. Engineering dimensions are available upon request. Specifications are subject to change without notice.

\* T = t-style  
\* L = l-style

Size	Dimensions					Brass Part #
	A	B	C	D	E	
1/4"	4.72	2.80	2.64	5.49	1.32	<b>BV3BV*R-0251BBC</b>
3/8"	4.72	2.80	2.64	5.49	1.32	<b>BV3BV*R-0381BBC</b>
1/2"	4.72	2.80	2.87	5.49	1.44	<b>BV3BV*R-0501BBC</b>
3/4"	4.81	2.80	3.19	5.49	1.60	<b>BV3BV*R-0751BBC</b>
1"	6.28	3.74	3.74	7.45	1.87	<b>BV3BV*R-1001BBC</b>
1 1/4"	6.50	3.74	4.39	7.45	2.20	<b>BV3BV*R-1251BBC</b>
1 1/2"	6.99	3.74	4.86	7.45	2.43	<b>BV3BV*R-1501BBC</b>
2"	8.45	4.69	5.73	9.10	2.87	<b>BV3BV*R-2001BBC</b>
2 1/2"	8.90	4.69	6.93	9.10	3.47	<b>BV3BV*R-2501BBC</b>
3"	8.90	4.69	7.08	9.10	3.54	<b>BV3BV*R-3001BBC</b>

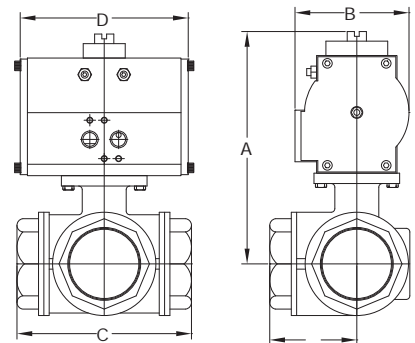


## Double Acting

Dimensions are approximate. Engineering dimensions are available upon request. Specifications are subject to change without notice.

\* T = t-style  
\* L = l-style

Size	Dimensions					Brass Part #
	A	B	C	D	E	
1/4"	3.76	1.77	2.64	4.33	1.32	<b>BV3BV*R-0251BCC</b>
3/8"	3.76	1.77	2.64	4.33	1.32	<b>BV3BV*R-0381BCC</b>
1/2"	3.76	1.77	2.87	4.33	1.44	<b>BV3BV*R-0501BCC</b>
3/4"	3.85	1.77	3.19	4.33	1.60	<b>BV3BV*R-0751BCC</b>
1"	5.53	3.20	3.74	5.32	1.87	<b>BV3BV*R-1001BCC</b>
1 1/4"	5.75	3.20	4.39	5.32	2.20	<b>BV3BV*R-1251BCC</b>
1 1/2"	6.24	3.20	4.86	5.32	2.43	<b>BV3BV*R-1501BCC</b>
2"	7.55	3.74	5.73	5.51	2.87	<b>BV3BV*R-2001BCC</b>
2 1/2"	8.00	3.74	6.93	5.51	3.47	<b>BV3BV*R-2501BCC</b>
3"	8.00	3.74	7.08	5.51	3.54	<b>BV3BV*R-3001BCC</b>



A wide variety of switches, solenoids, positioners, etc., are available. Contact Dixon™ at 800.789.1718 or visit [dixonvalve.com](http://dixonvalve.com) for details.



**Caution !**

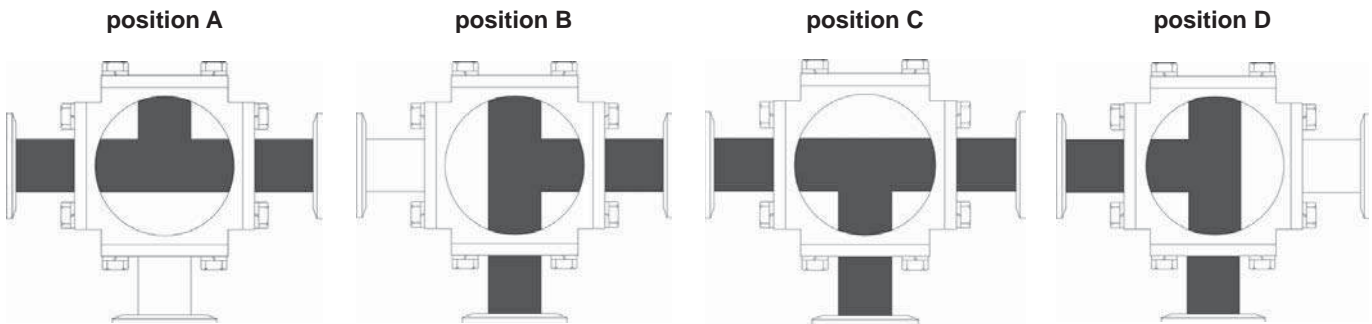


Even though there are torque safety factors built into our automated ball valve packages, actual service conditions must also be considered when selecting the proper product for the appropriate application. For example: Severe service conditions such as dirty water, dirty air, all slurries, raw sewage water, oils, and other viscous fluids can have a dramatic affect in raising the torque requirements of ball valves as much as 75% and therefore larger actuators may be required. Please consult Dixon™ when dealing with these types of applications.

## 3-Way Ball Valve Flow Options

### 'T' Pattern, Side Entry

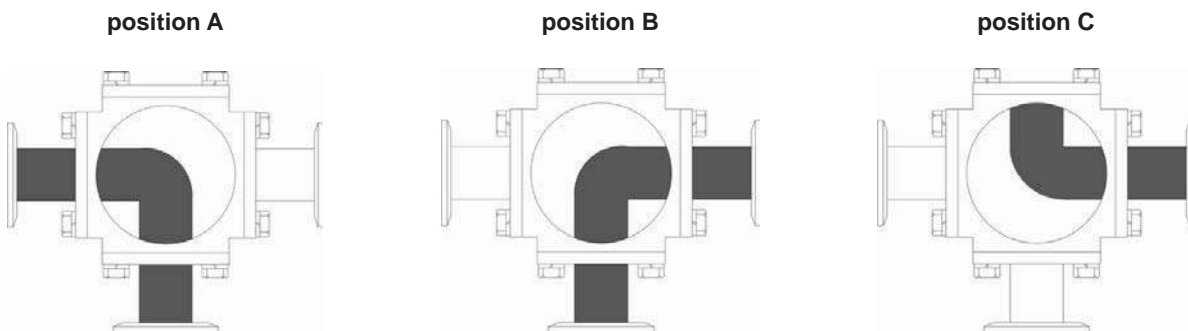
Top view



Number	Rotation	Flow Plan Options
1	90°	A, B
2	90°	B, C
3	90°	C, D
4 (Default)	90°	A, D

### 'L' Pattern, Side Entry

Top view



Number	Rotation	Flow Plan Options
1 (Default)	90°	A, B
2	180°	A, B, C

Q

- A flow path needs to be selected at time of order. If no flow path is selected, the option number labeled as default will be shipped.
- Customer verification is critical. If flow path needs to be changed after being shipped, labor and shipping charges will apply.
- For spring return actuators; must not fail position.
- Please call Dixon™ at 800.789.1718 for further information.

## Actuation

All Dixon™ actuators, accessories and mounting hardware can be sold separately, call Dixon™ at 800.789.1718 for details.

- Dixon™ can actuate all of our butterfly and ball valves with actuators.
- Dixon™ ships all actuated valves from the Valve Automation department in Wisconsin.
- Our actuators are tested to one million cycles and are backed with a one year manufacturer's warranty.
- Our professionally trained specialists assemble and test each automation package to guarantee performance in the field.
- Documentation is filed on each automated valve package in case it is needed at any point in the future.
- Each unit is individually foam packed to ensure they arrive in top condition.
- Most standard orders can be shipped within 24 hours.



a a a s

- 90° and 180° rotation
- spring return and double acting
- bi-directional travel stops
- available in stainless steel, aluminum and technopolymer materials

e a a less eel a se a s

- vertical with or without control top
- vertical - spring return and double acting
- horizontal - double acting



le a s

- variety of voltages
- manual overrides
- feedback and modulation available

Q

## Actuated Valve Accessories

### Limit Switches



Enclosure	Part #
NEMA 4/4X	<b>XLS-B4A0120P</b>
NEMA 7	<b>XLS-C7A0120P</b>

**Features:**

- visual position indicator
- 3D open/close indication
- quick-set cam
- mechanical SPDT switches (standard)
- multipoint terminal strip
- various switch options available
- cable entry: (2) 1/2" NPT

Enclosures available:

- NEMA 4 4/X
- water and dust tight for indoor or outdoor use
  - corrosion resistant
- NEMA 7
- water and dust tight for indoor or outdoor use
  - corrosion resistant
  - for use in indoor hazardous locations
  - explosion proof

### Solenoids



Description	Voltage	Part #
single coil	115VAC	<b>XSO-4S4D-0A</b>
single coil	24VDC	<b>XSO-4S4B-0A</b>
dual coil	115VAC	<b>XSO-4D4D-0A</b>
dual coil	24VDC	<b>XSO-4D4B-0A</b>

**Features:**

- pressure range: 30 PSI to 150 PSI
- duty cycle: 100% extended duty
- voltages available: 12VDC, 24VDC, 24VAC, 48VAC, 110VAC, 220VAC
- electroless nickel plated spool
- easy-to-use manual override
- port sizes: inlet and exhaust 1/4" NPT
- NEMA 4 4/X Enclosure
  - water and dust tight for indoor or outdoor use
  - corrosion resistant

### Positioners



Positioner Type	Part #
Electro-Pneumatic	<b>XPO-E4F</b>
Pneumatic	<b>XPO-P4F</b>

**Features:**

- air capacity:
    - at 29 PSI (200kPa): 9.5 SCFM
    - at 87 PSI (600kPa): 28.3 SCFM
    - at 145 PSI (1MPa): 47.1 SCFM
  - air connections: 1/4" NPT
  - gauges: 1/8" NPT
  - cable entry: 1/2" NPT
- Electro-Pneumatic
- input range: 4-20mA (Ri<250ohms)
  - supply pressure: 21.8 to 145 PSI (0.15 to 1MPa)
  - linearity error: <1.0% f.s
  - hysteresis: <0.6% f.s
  - repeatability: <0.5% f.s
- Pneumatic
- input range: 3 to 15 PSI (20-100kPa)
  - supply pressure: < 145 PSI (<1MPa)
  - linearity error: <0.7% f.s
  - hysteresis: <0.4% f.s
  - repeatability: <0.3% f.s

### Speed Control Mufflers

**Features:**

- maximum operating pressure: **300 PSI**
- temperature range: **35°F to 300°F**



aluminum



brass

NPT Thread	Approximate Full Oper. Height	Maximum Adjusted SCFM	2011T3 Aluminum <sup>1</sup>		Brass	
			Part #		Part #	
1/8"	1-5/16"	20	<b>ASCM18</b>		<b>SCM18</b>	
1/4"	1-9/16"	30	---		<b>SCM28</b>	
3/8"	1-5/8"	40	---		<b>SCM38</b>	
1/2"	2"	60	<b>ASCM48</b>		<b>SCM48</b>	
3/4"	2-3/8"	70	<b>ASCM68</b>		<b>SCM68</b>	
1"	2-1/2"	100	---		<b>SCM88</b>	

<sup>1</sup> stock quantity only

Q

# Pneumatically Actuated Wafer **Butterfly Valves**

## Valves

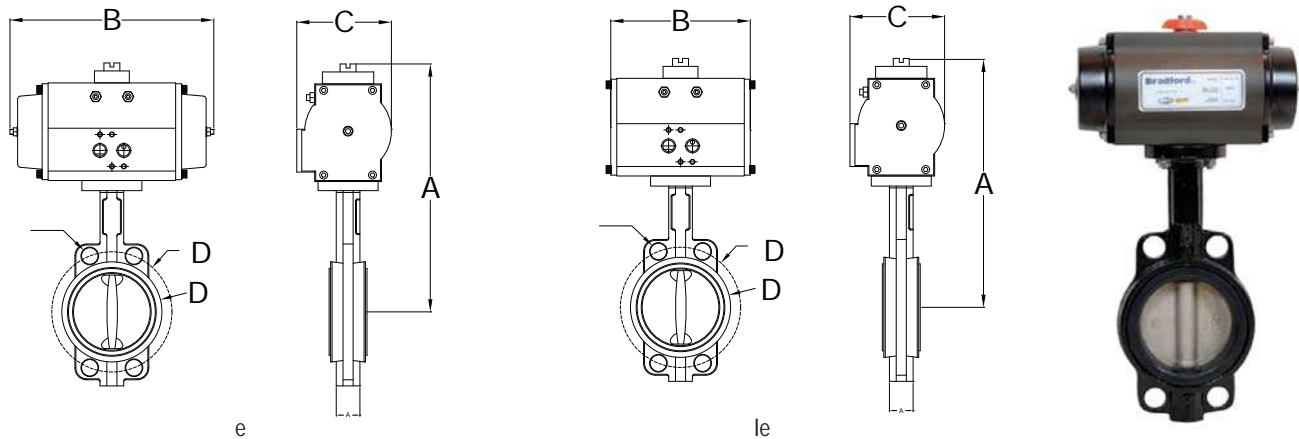
### Features:

- installs between standard ANSI Class 150# flanges
- cast iron body with extended neck
- nickel plated ductile iron disc
- seat backing ring ensures blowout proof service
- conforms to MSS-SP-67, MSS-SP-25, API-609
- no taper pins
- field repairable (seat kits available)
- replaceable EPDM seat
- maximum operating pressure: **200 PSI** (bi-directional)
- temperature range: **-20°F to 250°F**
- a wide variety of seat, disc and body materials are available

## Rack and Pinion Actuator

### Features:

- bi-directional stops for  $\pm 5^\circ$  travel adjustment
- **80 PSI** plant air required
- maximum operating pressure: **120 PSI**
- temperature range: **-40°F to +200°F**
- hard anodized aluminum body
- Namur mounting
- nickel plated anti-blowout pinion
- Buna-N O-rings
- visual position indication
- tested to 1 million cycles



All dimensions are given in inches, unless noted. Dimensions are approximate. Engineering dimensions are available upon request. Specifications are subject to change without notice.

## Wafer Spring Return

Size	A	B	C	D1	D2	n-H	Part #
1½"	9.61	8.09	3.74	3.88	3.74	4-18	<b>B5121E150WW-BBC</b>
2"	9.80	8.09	3.74	4.75	3.82	4-18	<b>B5121E200WW-BBC</b>
2½"	11.65	9.84	4.69	5.50	4.45	4-18	<b>B5121E250WW-BBC</b>
3"	11.89	9.84	4.69	6.00	4.92	4-18	<b>B5121E300WW-BBC</b>
4"	12.63	9.84	4.69	7.50	6.14	4-22	<b>B5121E400WW-BBC</b>
5"	13.94	13.98	5.53	8.50	7.36	4-22	<b>B5121E500WW-BBC</b>
6"	14.45	13.98	5.53	9.50	8.46	4-22	<b>B5121E600WW-BBC</b>
8"	17.17	16.60	7.29	11.75	10.51	4-22	<b>B5121E800WW-BBC</b>
10"	19.21	19.17	8.06	14.25	13.00	4-26	<b>B5121E1000WWBCC</b>
12"	22.87	25.28	9.37	17.00	14.96	4-26	<b>B5121E1200WWBCC</b>

## Wafer Double Acting

Size	A	B	C	D1	D2	n-H	Part #
1½"	9.61	5.87	3.74	3.88	3.74	4-18	<b>B5121E150WW-BCC</b>
2"	9.80	5.87	3.74	4.75	3.82	4-18	<b>B5121E200WW-BCC</b>
2½"	10.75	5.87	3.74	5.50	4.45	4-18	<b>B5121E250WW-BCC</b>
3"	10.99	5.87	3.74	6.00	4.92	4-18	<b>B5121E300WW-BCC</b>
4"	11.73	5.87	3.74	7.50	6.14	4-22	<b>B5121E400WW-BCC</b>
5"	13.15	7.20	4.69	8.50	7.36	4-22	<b>B5121E500WW-BCC</b>
6"	13.66	7.20	4.69	9.50	8.46	4-22	<b>B5121E600WW-BCC</b>
8"	15.79	10.22	5.53	11.75	10.51	4-22	<b>B5121E800WW-BCC</b>
10"	17.05	10.22	5.53	14.25	13.00	4-26	<b>B5121E1000WWBCC</b>
12"	20.20	11.98	7.29	17.00	14.96	4-26	<b>B5121E1200WWBCC</b>



## Pneumatically Actuated Lug Butterfly Valves

### Valves

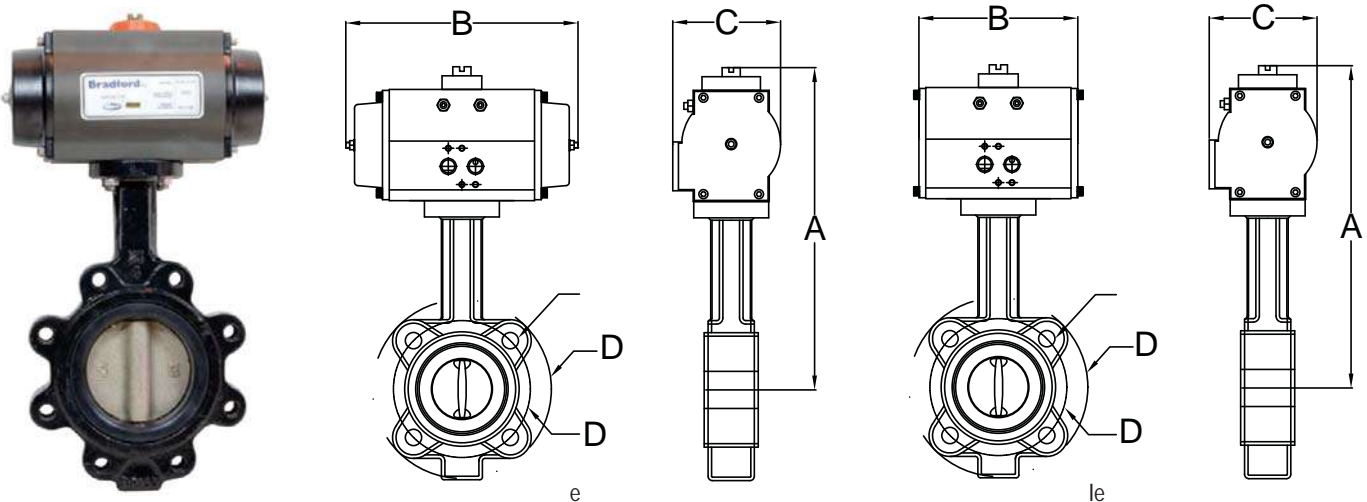
#### Features:

- cast iron body with extended neck
- nickel plated ductile iron disc
- seat backing ring ensures blowout proof service
- installs between standard ANSI Class 150# flanges
- conforms to MSS-SP-67, MSS-SP-25, API-609
- no taper pins
- field repairable (seat kits available)
- replaceable EPDM seat
- maximum operating pressure: **200 PSI** (bi-directional)
- temperature range: **-20°F to 250°F**
- a wide variety of seat, disc and body materials are available

### Rack and Pinion Actuator

#### Features:

- bi-directional stops for  $\pm 5^\circ$  travel adjustment
- **80 PSI** plant air required
- maximum operating pressure: **120 PSI**
- temperature range: **-40°F to +200°F**
- hard anodized aluminum body
- Namur mounting
- nickel plated anti-blowout pinion
- Buna-N O-rings
- visual position indication
- tested to 1 million cycles
- a wide variety of switches, solenoids, positioners, etc., are available, contact Dixon™ for details



All dimensions are given in inches, unless noted. Dimensions are approximate. Engineering dimensions are available upon request. Specifications are subject to change without notice.

### Lug Spring Return

Size	A	B	C	D1	D2	n-H	Part #
2"	9.80	8.09	3.74	.75	5.95	4-5/8-11 UNC	<b>B5121E200LL-BBC</b>
2½"	11.65	9.84	4.69	5.50	6.97	4-5/8-11 UNC	<b>B5121E250LL-BBC</b>
3"	11.89	9.84	4.69	6.00	7.56	4-5/8-11 UNC	<b>B5121E300LL-BBC</b>
4"	12.63	9.84	4.69	7.50	8.35	8-5/8-11 UNC	<b>B5121E400LL-BBC</b>
5"	13.94	13.98	5.53	8.50	9.53	8-5/8-11 UNC	<b>B5121E500LL-BBC</b>
6"	14.45	13.98	5.53	9.50	11.02	8-5/8-11 UNC	<b>B5121E600LL-BBC</b>
8"	17.17	16.60	7.29	11.75	13.19	8-5/8-11 UNC	<b>B5121E800LL-BBC</b>
10"	19.21	19.17	8.06	14.25	15.94	12-7/8-9 UNC	<b>B5121E1000LLBCC</b>
12"	22.87	25.28	9.37	17.00	19.09	12-7/8-9 UNC	<b>B5121E1200LLBCC</b>

### Lug Double Acting

Size	A	B	C	D1	D2	n-H	Part #
2"	9.80	5.87	3.74	4.75	5.95	4-5/8-11 UNC	<b>B5121E200LL-BCC</b>
2½"	10.75	5.87	3.74	5.50	6.97	4-5/8-11 UNC	<b>B5121E250LL-BCC</b>
3"	10.99	5.87	3.74	6.00	7.56	4-5/8-11 UNC	<b>B5121E300LL-BCC</b>
4"	11.73	5.87	3.74	7.50	8.35	8-5/8-11 UNC	<b>B5121E400LL-BCC</b>
5"	13.15	7.20	4.69	8.50	9.53	8-5/8-11 UNC	<b>B5121E500LL-BCC</b>
6"	13.66	7.20	4.69	9.50	11.02	8-5/8-11 UNC	<b>B5121E600LL-BCC</b>
8"	15.79	10.22	5.53	11.75	13.19	8-5/8-11 UNC	<b>B5121E800LL-BCC</b>
10"	17.05	10.22	5.53	14.25	15.94	12-7/8-9 UNC	<b>B5121E1000LLBCC</b>
12"	20.20	11.98	7.29	17.00	19.09	12-7/8-9 UNC	<b>B5121E1200LLBCC</b>

## Ductile Iron **Butterfly Valves**



NOT RECOMMENDED FOR STEAM SERVICE

- for use between two 150 lb. flanges
- 10 position trigger grip handle
- pressure rating: **200 PSI** at ambient temperature (70°F)

### Features:

- ductile iron body, ASTM A536
- aluminum bronze disc, ASTM B148, ALY.954
- PTFE bushing
- stainless steel top and bottom stems

#### threaded lug style with aluminum bronze disc

Size	with Buna-N liner		with EPDM liner	
	Part #	Price/E	Part #	
2"	<b>BFVL200</b>	<b>\$145.00</b>	<b>BFVL200E</b>	
3"	<b>BFVL300</b>	<b>181.25</b>	<b>BFVL300E</b>	
4"	<b>BFVL400</b>	<b>270.00</b>	<b>BFVL400E</b>	
6"	<b>BFVL600</b>	<b>475.00</b>	<b>BFVL600E</b>	



### Features:

- ductile iron body, ASTM A536
- aluminum bronze disc, ASTM B148, ALY.954
- PTFE bushing
- stainless steel top and bottom stems

#### wafer style with aluminum bronze disc

Size	with Buna-N liner		with EPDM liner	
	Part #	Price/E	Part #	
2"	<b>BBFVW200</b>	<b>\$133.00</b>	<b>BBFVW200E</b>	
3"	<b>BBFVW300</b>	<b>170.00</b>	<b>BBFVW300E</b>	
4"	<b>BBFVW400</b>	<b>240.00</b>	<b>BBFVW400E</b>	
6"	<b>BBFVW600</b>	<b>420.00</b>	<b>BBFVW600E</b>	



### Features:

- ductile iron body, ASTM A536
- stainless steel disc, ASTM A351, GR. CF-8M
- Buna-N seal and stem seals
- PTFE bushing
- stainless steel top and bottom stems

#### wafer style with stainless disc

Size	with Buna-N liner	
	Part #	
2"	<b>BFVW200</b>	
3"	<b>BFVW300</b>	
4"	<b>BFVW400</b>	
6"	<b>BFVW600</b>	



### Features:

- ductile iron body, ASTM A536
- nickel plated ductile iron disc
- Buna-N seal and stem seals
- PTFE bushing
- 416 stainless stem

#### wafer style with nickel plated ductile iron disc

Size	with Buna-N liner		with EPDM liner	
	Part #	Price/E	Part #	
3"	<b>IBFVW300</b>	<b>\$103.50</b>	<b>IBFVW300E</b>	
4"	<b>IBFVW400</b>	<b>136.00</b>	<b>IBFVW400E</b>	
6"	<b>IBFVW600</b>	<b>186.00</b>	<b>IBFVW600E</b>	
8"	<b>IBFVW800</b>	<b>300.00</b>	<b>IBFVW800E</b>	

**NEW**



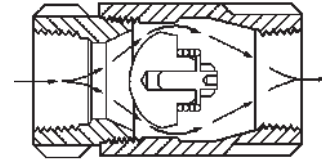
## Domestic Ball Cone Check Valves

### Application:

- For use with water, oil, air lines or inert gases. Not recommended for use on or near reciprocating pumps or other similar vibration causing machinery.

### Features:

- tight shut-off with liquid media
- no radial alignment necessary
- straight through and streamlined for minimum change in velocity
- Reinforced PTFE check is spring loaded for fast seating action.
- pressure rating: **400 PSI** WOG, cold non-shock; **125 PSI** saturated steam
- cracking pressure: .5 PSI
- temperature range: **-20°F to 353°F**



### Pressure Ratings

Temperature	Pressure WOG (PSI)
-20°F to 100°F	<b>400</b>
200°F	<b>200</b>
250°F	<b>160</b>
275°F	<b>150</b>
300°F	<b>140</b>
325°F	<b>130</b>
353°F	<b>125</b>

### female NPT x female NPT

Size	Brass		316 Stainless Steel	
	Part #		Part #	
1/4"	<b>61-101</b>		<b>62-101</b>	
3/8"	<b>61-102</b>		<b>62-102</b>	
1/2"	<b>61-103</b>		<b>62-103</b>	
3/4"	<b>61-104</b>		<b>62-104</b>	
1"	<b>61-105</b>		<b>62-105</b>	
1 1/4"	<b>61-106</b>		<b>62-106</b>	
1 1/2"	<b>61-107</b>		<b>62-107</b>	
2"	<b>61-108</b>		<b>62-108</b>	
2 1/2"	<b>61-109</b>		---	
3"	<b>61-100</b>		---	



### male NPT x female NPT

Size	Brass	
	Part #	
1/4"	<b>61-201</b>	
3/8"	<b>61-202</b>	
1/2"	<b>61-203</b>	
3/4"	<b>61-204</b>	
1"	<b>61-205</b>	
1 1/4"	<b>61-206</b>	
1 1/2"	<b>61-207</b>	
2"	<b>61-208</b>	



## 800 PSI Stainless Steel Check Valve

### Features:

- soft PTFE seat is spring loaded for fast seating action
- flow profile designed to minimize head loss
- temperature range **10°F to 450°F**
- pressure rating: **800 PSI** WOG; **125 PSI** saturated steam
- cracking pressure: .5 PSI
- corrosion resistance, excellent for use on chemicals
- dual guided stem and disc

### female NPT x female NPT

Size	316 Stainless Steel	
	Part #	
1/4"	<b>SSCVIL025</b>	
3/8"	<b>SSCVIL038</b>	
1/2"	<b>SSCVIL050</b>	
3/4"	<b>SSCVIL075</b>	
1"	<b>SSCVIL100</b>	
1 1/4"	<b>SSCVIL125</b>	
1 1/2"	<b>SSCVIL150</b>	
2"	<b>SSCVIL200</b>	



## Check Valves

### Features:

- Class 800
- ASTM A105, ANSI B120.1
- bolted bonnet
- pressure rating: **1975 PSI**
- maximum temperature: **800°F**
- can be used for steam service

Female NPT	Part #	Forged Steel
1/2"	<b>FSCV50</b>	
3/4"	<b>FSCV75</b>	
1"	<b>FSCV100</b>	
1 1/4"	<b>FSCV125</b>	
1 1/2"	<b>FSCV150</b>	
2"	<b>FSCV200</b>	



## Spring-Loaded Check Valves

### Features:

- cracking pressure: 0.50 PSI
- NBR seat
- soft seat for bubble tight shutoff, spring loaded for fast seating action
- flow profile designed to minimize head loss
- pressure rating :1/2" - 2" **400 PSI WOG**; 3" - 4" **175 PSI WOG**
- temperature range: **10°F to 210°F** (-10°C to 100°C)

Female NPT	Part #	Brass
1/2"	<b>CV050</b>	
3/4"	<b>CV075</b>	
1"	<b>CV100</b>	
1 1/4"	<b>CV125</b>	
1 1/2"	<b>CV150</b>	
2"	<b>CV200</b>	
3"	<b>CV300</b>	
4"	<b>CV400</b>	



## Strainer with Spring Loaded Check Valves

### Features:

- brass with NBR seat and stainless steel strainer
- soft seat for bubble tight shutoff, spring loaded for fast seating action
- flow profile designed to minimize head loss
- temperature range: **10°F to 210°F** (-10°C to 100°C)
- cracking pressure: **0.50 PSI**
- pressure rating: 1/2"-2" **400 PSI WOG**, 3"-4" **175 PSI WOG**

Female NPT	Part #	
1 1/2"	<b>BVFS20</b>	
2"	<b>BVFS25</b>	
3"	<b>BVFS35</b>	
4"	<b>BVFS40</b>	



Q

## Horizontal Swing Check Valves

### Application:

- Swing check valves are designed to prevent back flow in plumbing and liquid piping systems, while offering full flow performance with a minimum of turbulence or pressure loss.

### Features:

- brass disc
- for horizontal or vertical use
- A positive seating disc allows flow only in one direction and a screw-in cap provides easy access for periodic cleaning.
- pressure rating: **200 PSI WOG**
- temperature range: **-20° to 150°F**



### female NPT x female NPT

Size	Brass	
	Part #	
1/2"	<b>SWCV50</b>	
3/4"	<b>SWCV75</b>	
1"	<b>SWCV100</b>	
1 1/4"	<b>SWCV125</b>	
1 1/2"	<b>SWCV150</b>	
2"	<b>SWCV200</b>	
3"	<b>SWCV300</b>	
4"	<b>SWCV400</b>	

## Domestic Swing Check Valves

### Features:

- Class 150
- ASME B1.20.1
- metal seat
- 100% factory tested
- working pressure: **300 PSI cold, 150 PSI steam**
- temperature range: **-20°F to 406°F**



Female NPT	Brass	
	Part #	
1/2"	<b>DSCV50</b>	
3/4"	<b>DSCV75</b>	
1"	<b>DSCV100</b>	
1 1/4"	<b>DSCV125</b>	
1 1/2"	<b>DSCV150</b>	
2"	<b>DSCV200</b>	

## Cast Iron Y Line Strainers

### Features:

- cast iron body
- graphite gasket
- working pressure: **400 PSI WOG, 250 PSI steam**
- plug ported for blowdown service
- no replacement screens available

products used with the strainer:

- MNPT threaded close nipples, page 742
- brass ball valves, page 678
- MNPT threaded plugs, page 736



Female NPT	Description	Cast Iron	
		Part #	
1/4"	20 x 20 mesh	<b>Y001</b>	
3/8"	20 x 20 mesh	<b>Y002</b>	
1/2"	20 x 20 mesh	<b>Y003</b>	
3/4"	20 x 20 mesh	<b>Y004</b>	
1"	20 x 20 mesh	<b>Y005</b>	
1 1/4"	20 x 20 mesh	<b>Y006</b>	
1 1/2"	20 x 20 mesh	<b>Y007</b>	
2"	20 x 20 mesh	<b>Y008</b>	

## Bronze Y Line Strainers

### Features:

- cast bronze body, female x female NPT ends
- working pressure: **400 PSI** WOG, **125 PSI** steam

Female NPT	Description	Bronze		304 Stainless Replacement Screens	
		Part #		Part #	
¼"	50 x 50 mesh	<b>59-001</b>		<b>G3271-00</b>	
⅜"	50 x 50 mesh	<b>59-002</b>		<b>G2457-00</b>	
½"	50 x 50 mesh	<b>59-003</b>		<b>G2457-00</b>	
¾"	20 x 20 mesh	<b>59-004</b>		<b>G3224-00</b>	
1"	20 x 20 mesh	<b>59-005</b>		<b>G3225-00</b>	
1¼"	20 x 20 mesh	<b>59-006</b>		<b>G3231-00</b>	
1½"	20 x 20 mesh	<b>59-007</b>		<b>G3229-00</b>	
2"	20 x 20 mesh	<b>59-008</b>		<b>G3230-00</b>	



## Polypropylene Y Line Strainers

### Features:

- protects and prevents clogging of pipelines, pumps and spray tips
- glass-filled polypropylene body, female x female NPT ends
- easy access for cleaning
- maximum operating pressure: **90 PSI** at 70°F

Female NPT	Description	Polypropylene		304 Stainless Replacement Screen	
		Part #		Part #	
¾"	40 mesh	<b>PYLS7540</b>		<b>61450</b>	
1"	40 mesh	<b>PYLS10040</b>		<b>61746</b>	
1½"	40/20 mesh	<b>PYLS15040</b>		<b>61509</b>	
2"	40/20 mesh	<b>PYLS20040</b>		<b>61509</b>	



## Polypropylene T Line Strainers

### Features:

- white polypropylene allows easy inspection
- female x female NPT ends
- 40 mesh stainless steel screen
- maximum operating pressure: **100 PSI** at 70°F

Female NPT	Description	Polypropylene		304 Stainless Replacement Screen	
		Part #		Part #	
¾"	40 mesh	<b>PTLS7540</b>		<b>61405</b>	
1"	40 mesh	<b>PTLS10040</b>		<b>61405</b>	

